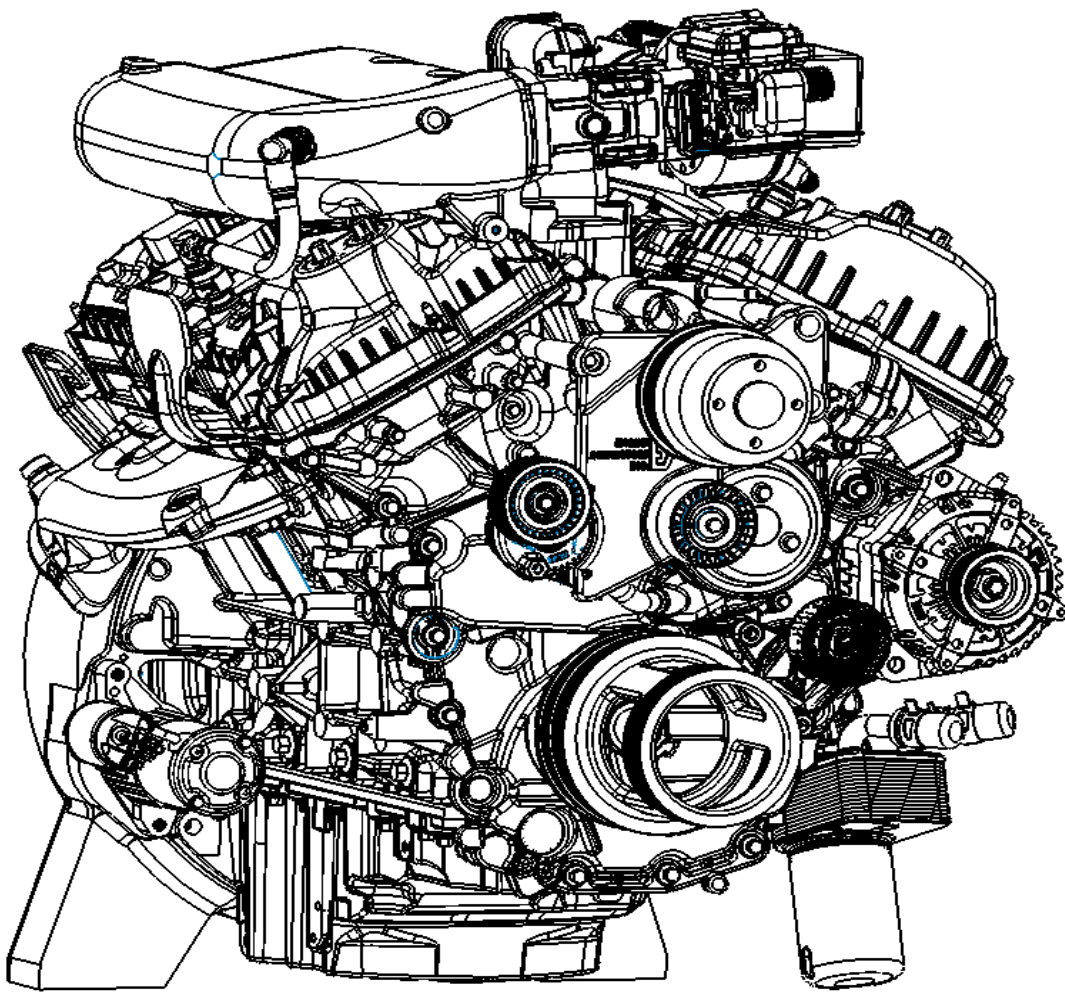




LSG635 Service Parts Manual



Part#: 1010240

Rev 4

4/22/2023

General Information

This catalog has been prepared to assist you, the owner, in identifying the correct replacement

Parts Information

Each listing contains base part number, part description and the quantity required to assist in indentifying and ordering the correct part.

NOTE: The descriptions and specifications contained in this manual were in effect at the time the book was released for printing. Engine Distributors, Inc. (EDI) reserves the right to discontinue models at any time, or change specifications or design, without notice and without

Reproduction in any manner, in whole or in part, is prohibited without the express permission in writing from Engine Distributors, Inc.

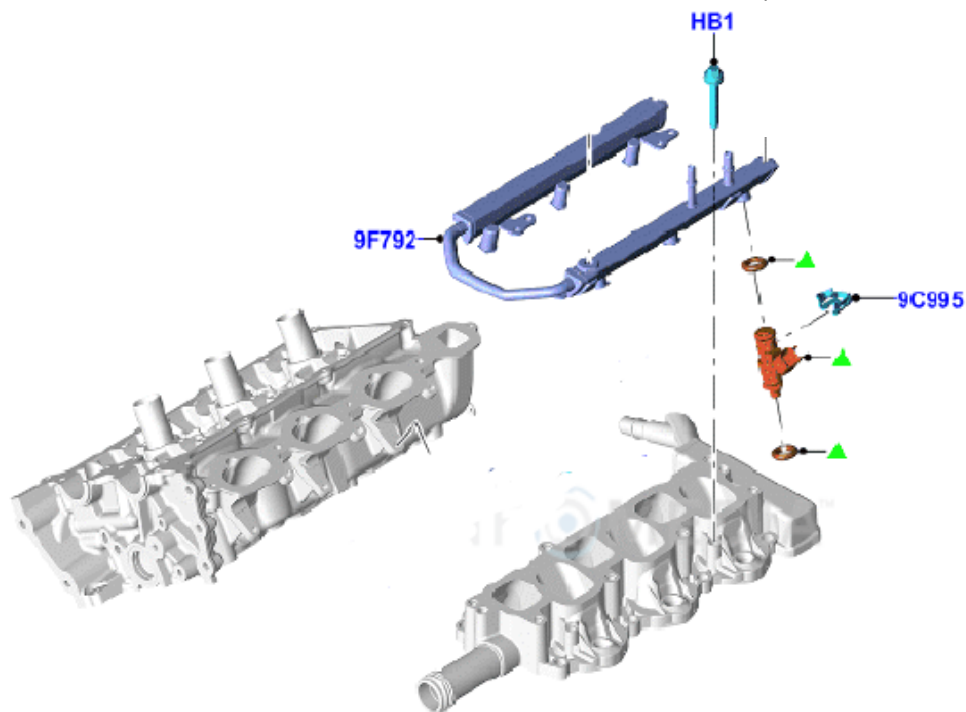


Engine Distributors Inc
400 University Ct.
Blackwood, NJ 08012
800-220-2700

INDEX

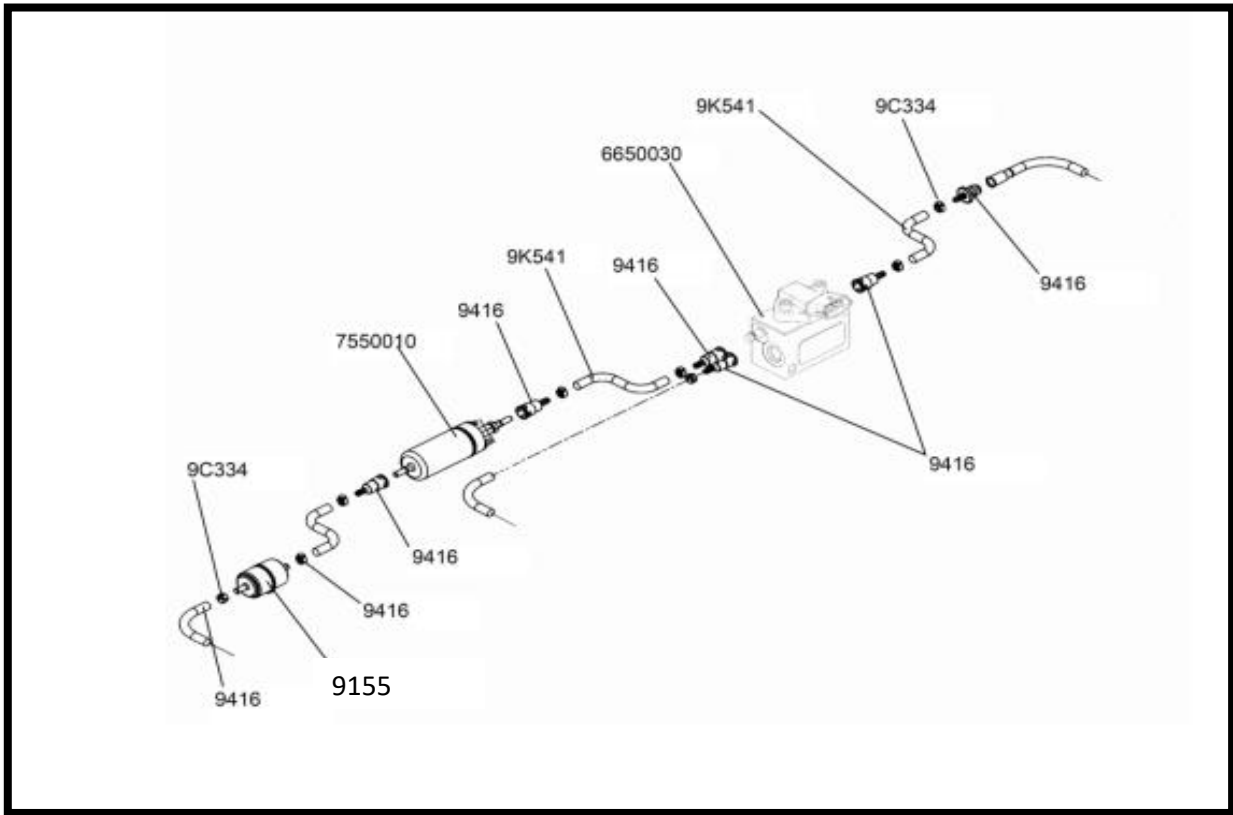
| LSG635 Service Parts | Section | PAGE |
|---|---------|------|
| Fuel System Fuel Rail and Injectors, Fuel Pump, LPG and NG Mixers/Pressure Regulators, Lockoff Valves | 1 | 3 |
| Electrical System Starter, Alternator, Relays, and Wiring Harnesses | 2 | 9 |
| Exhaust Catalyst Muffler, Manifold, Y Pipe | 3 | 12 |
| Intake Manifold, Bosch Governor, Throttle Adapter | 4 | 14 |
| FEAD Tensioner and Pulleys | 5 | 17 |
| Flywheel and Housings SAE Flywheel and Housing, Ring Gear, Starter Plate | 6 | 18 |
| Cooling System Thermostat, Water Pump, Coolant Outlet, Cooling Fans, Radiator Kit | 7 | 19 |
| Oil System Filter, Oil Pan, Pickup, switch, Pump and Chain | 8 | 23 |
| Base Engine Sensors, Camshafts, Valve Cover, Crankshaft and Bearings, Cylinder Head, Crankcase Ventilation, Pistons, Timing Chain and Gears, Front Cover | 9 | 26 |
| Miscellaneous Hydraulic Pumps, Sheet metal | 10 | 41 |
| Manual & Labels | 11 | 43 |

Gasoline Fuel Rail and Injectors



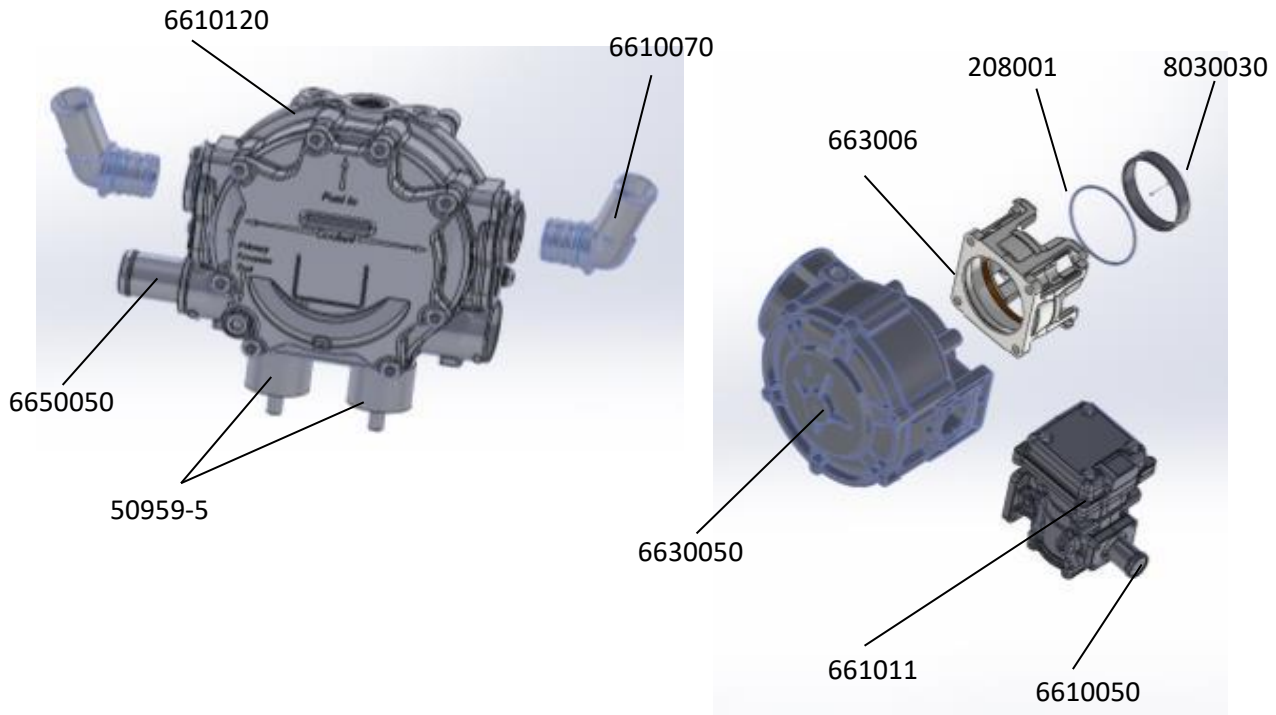
| Quantity | Description | Part # |
|----------|-------------------------|---------------|
| 6 | Fuel Injector Assembly | JL3Z-9F593-A |
| 1 | Fuel Rail | JL3Z-9F792-B |
| 4 | Fuel Rail Bolts | W716088-S450 |
| 6 | Retainer, Fuel Injector | 4F2Z-9C995-AA |
| 4 | Screw, M6x38 (HB1) | W716115-S900 |

Gasoline Fuel Pump, Block, and Lines



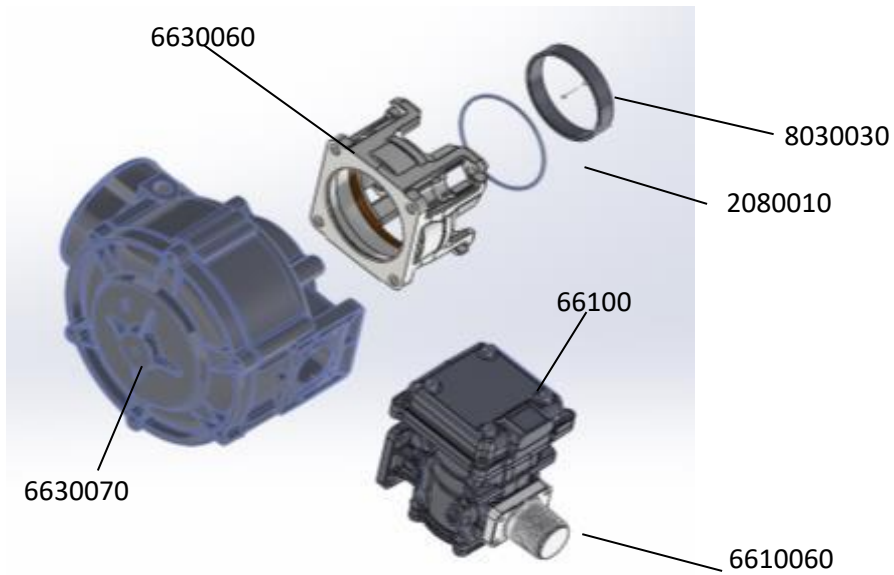
| Quantity | Description | Part # |
|----------|---|---------------|
| 1 | Gasoline Fuel Pump | 7550010 |
| 1 | Gasoline Fuel Block | 6650030 |
| 2 | Fuel Block Fitting - SAE 6 | 2050040 |
| 1 | Fuel Block Fitting - SAE 3 | 2050050 |
| 1 | Fuel Pump Fitting - M10 | 2050030 |
| 1 | Fuel Pump Fitting Washer | 1118659 |
| 1 | Fuel Filter | F89Z-9155-A |
| 1 | Fuel Pump Mounting Clamp | 6660020 |
| 8 | Fuel Line Clamps | F8JL-9C334-AA |
| 8 | Fuel Clips (Quick Disconnects) | 6630040 |
| 1 | Fuel Clip (Quick Disconnect) Fuel Rail Only | N806188S190 |
| NA | Fuel Line | 6590010 |

LPG Fuel System; Mixer, DEPR, Vapor Regulator



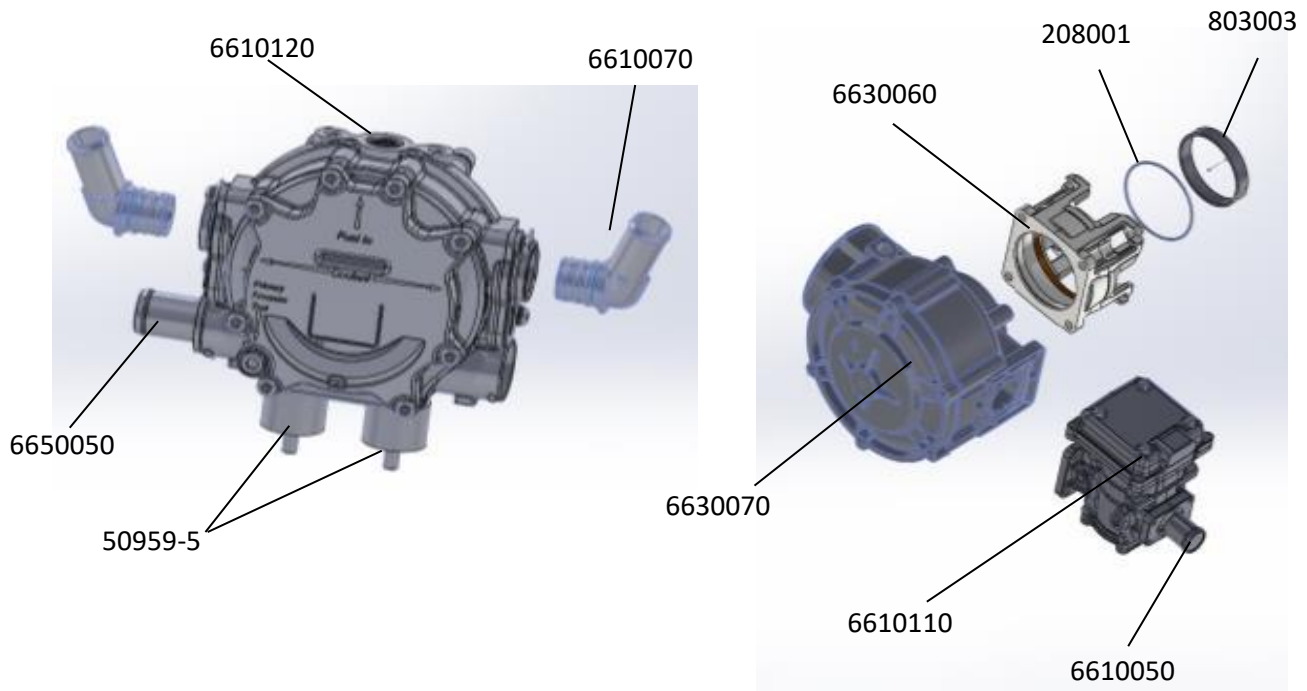
| Quantity | Description | Part # |
|----------|---|-------------|
| 1 | LPG Mixer | 6630050 |
| 1 | Mixer to Governor Adapter | 6630060 |
| 1 | Mixer to Governor Adapter Thin O-ring | 2080010 |
| 1 | Mixer to Governor Adapter Thick O-ring | 8030030 |
| 1 | LPG Vapor Regulator | 6610120 |
| 1 | Direct Electronic Pressure Regulator (DEPR) | 6610110 |
| 1 | DEPR LPG Fitting (pictured) | 6610050 |
| 1 | DEPR LPG Fitting 90° | 6620010 |
| 2 | LPG Vapor Regulator Rubber Isolators | 50959-5 |
| 2 | LPG Vapor Regulator Coolant Fitting (straight) | 6610080 |
| 2 | LPG Vapor Regulator Coolant Fitting (70 degree) | 6610070 |
| 1 | LPG Vapor Regulator Fuel Outlet Fitting | 6650050 |
| NA | LP Vapor Hose | VH34 |
| 1 | Mixer Diaphragm Replacement Kit | 6610040 |
| 2 | Vapor Regulator Heater Hose | F8JL18472AA |
| 1 | Vapor Regulator Mount | 4010220 |
| 4 | Mixer Adapter to Mixer Bolts, M6x1.0x20MM | NA |
| 4 | DEPR to Mixer Bolts, M5x0.8x12.5MM, | NA |
| 4 | DEPR Fitting to DEPR Bolts, M4x.70x12MM | NA |
| 4 | DEPR Fitting (6620010) to DEPR Bolts, M4x.70x25MM | NA |
| 3 | Vapor Regulator Locking Pins | 1060230 |
| 4 | Throttle to Intake Manifold (mixer), M6x1.0x55MM | NA |

NG Fuel System



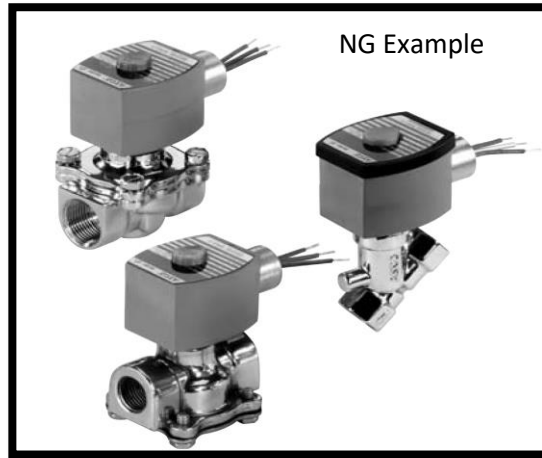
| Quantity | Description | Part # |
|----------|--|---------|
| 1 | NG Mixer | 6630070 |
| 1 | Mixer to Governor Adapter | 6630060 |
| 1 | Mixer to Governor Adapter Thin O-ring | 2080010 |
| 1 | Mixer to Governor Adapter Thick O-ring | 8030030 |
| 1 | Direct Electronic Pressure Regulator (DEPR) | 6610110 |
| 1 | DEPR NG Fitting (threaded) | 6610060 |
| 1 | DEPR NG Fitting 90 Deg (threaded) | 6620020 |
| 1 | Mixer Diaphragm Replacement Kit | 6610040 |
| 4 | Mixer Adapter to Mixer Bolts, M6x1.0x20MM | NA |
| 4 | DEPR to Mixer Bolts, M5x0.8x12.5MM, | NA |
| 4 | DEPR Fitting to DEPR Bolts, M4x.70x12MM | NA |
| 4 | Throttle to Intake Manifold (mixer), M6x1.0x55MM | NA |

CNG Fuel System; Mixer, DEPR, Vapor Regulator



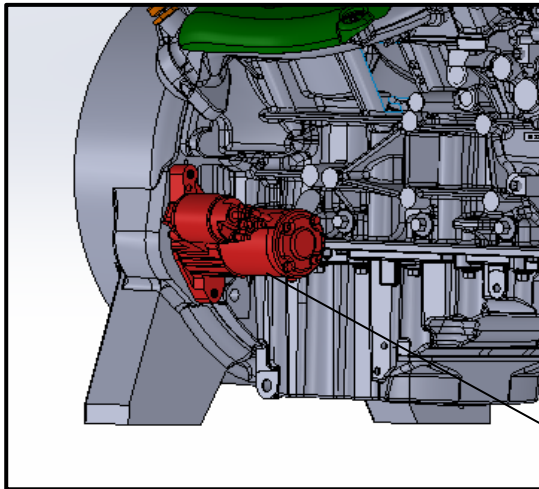
| Quantity | Description | Part # |
|----------|---|-------------|
| 1 | NG Mixer | 6630070 |
| 1 | Mixer to Governor Adapter | 6630060 |
| 1 | Mixer to Governor Adapter Thin O-ring | 2080010 |
| 1 | Mixer to Governor Adapter Thick O-ring | 8030030 |
| 1 | LPG Vapor Regulator | 6610120 |
| 1 | Direct Electronic Pressure Regulator (DEPR) | 6610110 |
| 1 | DEPR LPG Fitting (pictured) | 6610050 |
| 1 | DEPR LPG Fitting 90° | 6620010 |
| 2 | LPG Vapor Regulator Rubber Isolators | 50959-5 |
| 2 | LPG Vapor Regulator Coolant Fitting (straight) | 6610080 |
| 2 | LPG Vapor Regulator Coolant Fitting (70 degree) | 6610070 |
| 1 | LPG Vapor Regulator Fuel Outlet Fitting | 6650050 |
| NA | LP Vapor Hose | VH34 |
| 1 | Mixer Diaphragm Replacement Kit | 6610040 |
| 2 | Vapor Regulator Heater Hose | F8JL18472AA |
| 1 | Vapor Regulator Mount | 4010220 |
| 4 | Mixer Adapter to Mixer Bolts, M6x1.0x20MM | NA |
| 4 | DEPR to Mixer Bolts, M5x0.8x12.5MM, | NA |
| 4 | DEPR Fitting to DEPR Bolts, M4x.70x12MM | NA |
| 4 | Throttle to Intake Manifold (mixer), M6x1.0x55MM | NA |
| 4 | DEPR Fitting (6620010) to DEPR Bolts, M4x.70x25MM | NA |
| 3 | Vapor Regulator Locking Pins | 1060230 |

Lockoff Valves

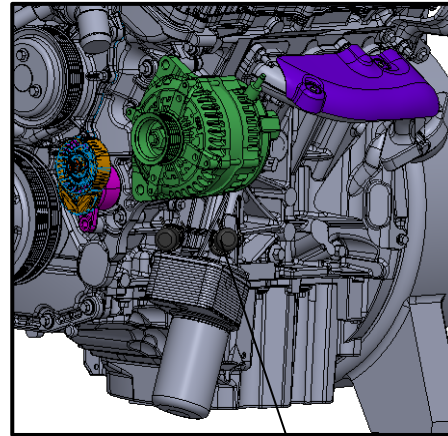


| Quantity | Description | Part # |
|----------|---------------------------------|----------|
| 1 | 12V LPG Shutoff valve | N301652 |
| 1 | 12V LPG Shutoff Valve 90 deg | N301641 |
| 1 | 12V NG Shutoff valve | 8214235 |
| 1 | 12V LPG Shutoff Valve w/ filter | 6690020 |
| 1 | Shutoff Valve Connector kit | 5010030A |

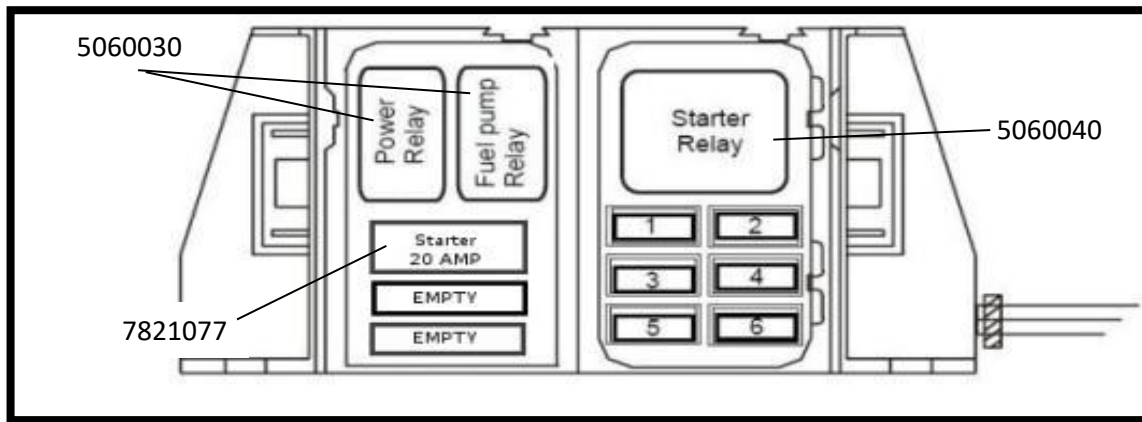
Starter, Charging System, and Relays



LK4Z11002

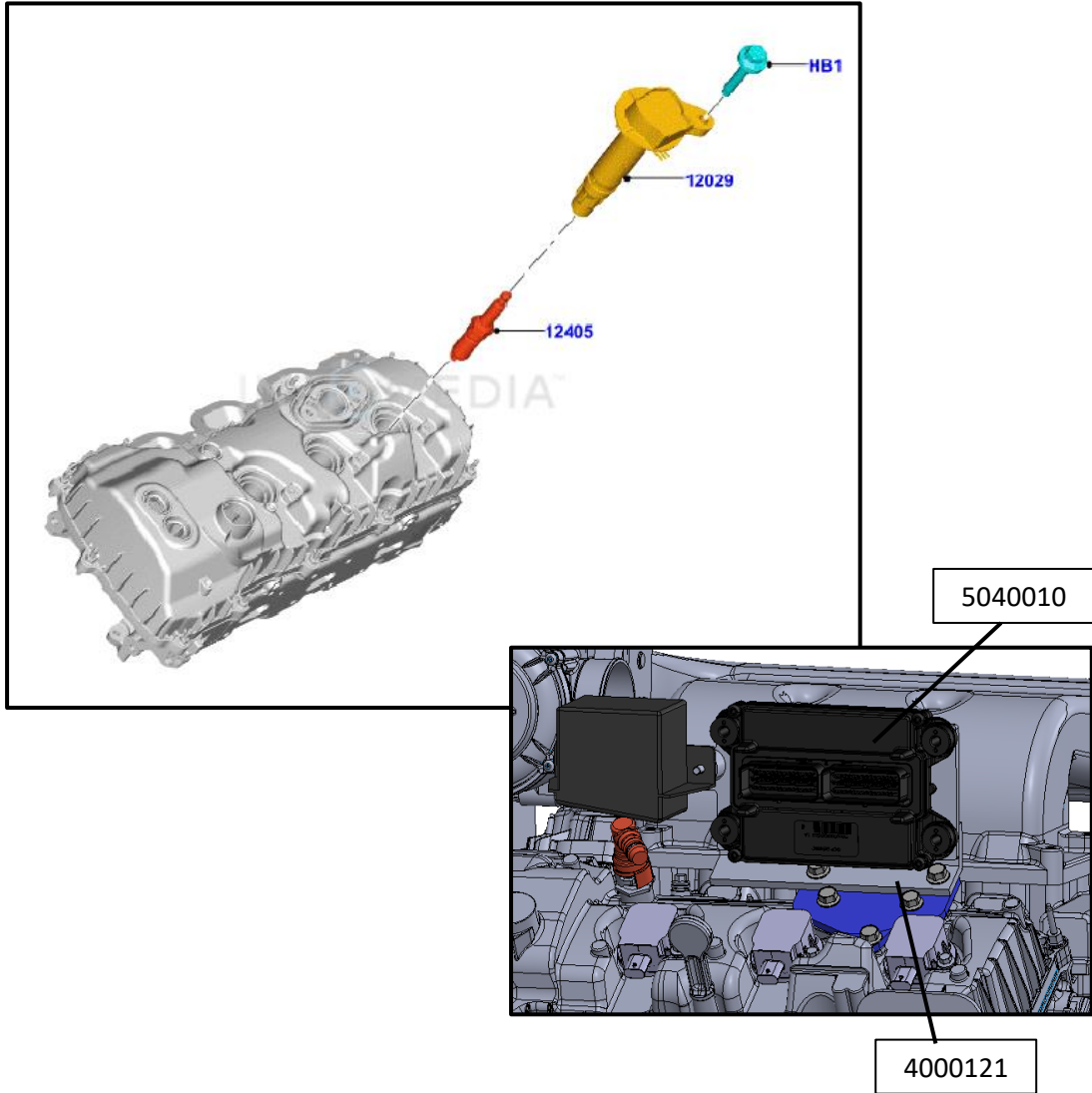


L1MZ10346F



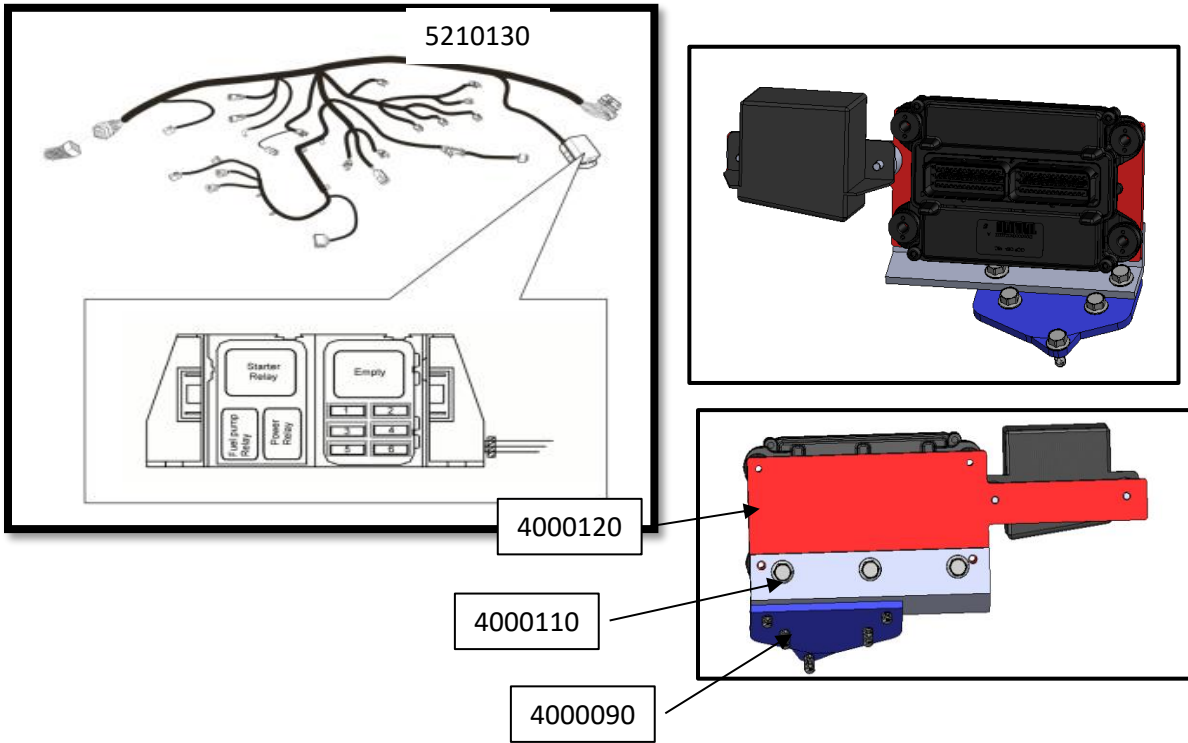
| Quantity | Description | Part # |
|----------|----------------------------|------------|
| 1 | Starter | LK4Z11002C |
| 1 | Alternator | L1MZ10346F |
| 2 | Fuel Pump and Power Relays | 5060030 |
| 1 | Starter Relay | 5060040 |
| 1 | Relay Box Top | 5210010 |
| 1 | Relay Box Top Sticker | 5210020 |
| 1 | Fuse Box Mount, right | 5210040 |
| 1 | Fuse box mount, left | 5210050 |
| 1 | Starter Fuse 20 AMP | 7821077 |

Starter, Charging System, and Relays



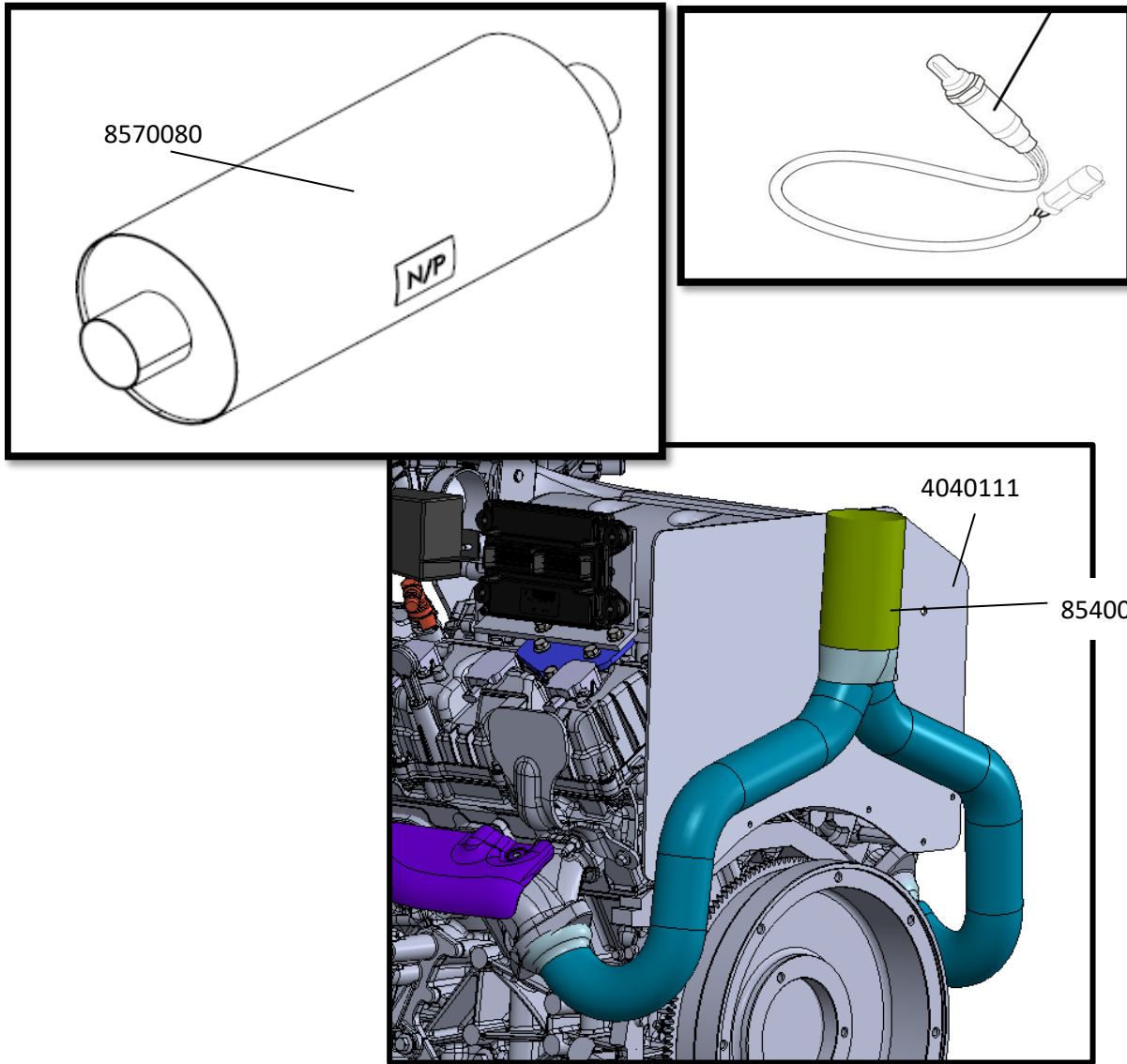
| Quantity | Description | Part # |
|----------|---------------------|-----------------------------------|
| 1 | ECU (4G) | 5040010 |
| 6 | Ignition Coil | JL3Z-12029-A |
| 6 | Spark Plug | CYFS-12F-5 (Motorcraft SP 520) |
| 6 | Bolt, M5x27mm | W714507-S437 |
| 1 | ECU (4G) Bracket | 4000121 |
| 1 | ECU Support Bracket | 4000110 |

Harnesses and Misc.



| Quantity | Description | Part # |
|----------|--------------------------------|---------|
| 1 | Main Engine Harness | 5210130 |
| 1 | Alternator Charge Wire | 5260050 |
| 1 | Gasoline Fuel Block Harness | 5260010 |
| 2 | Fuse box isolators | 50959-5 |
| 1 | ECU Bracket | 4000120 |
| 1 | ECU Support Bracket | 4000110 |
| 1 | High Pressure Pump Plate | 4000090 |
| 1 | Diagnostic Software and Cable | 5080050 |
| 1 | GCP Connector Slide Lock | 5240030 |
| 1 | GCP Connector Cover | 5240020 |
| 4 | GCP Mount Screws M6x1.0x30 | NA |
| 4 | Fuse Box Isolator Nuts; M6x1.0 | NA |
| 1 | Fuse Box Cover | 5210010 |
| 1 | Fuse Box Cover Sticker | 5260120 |

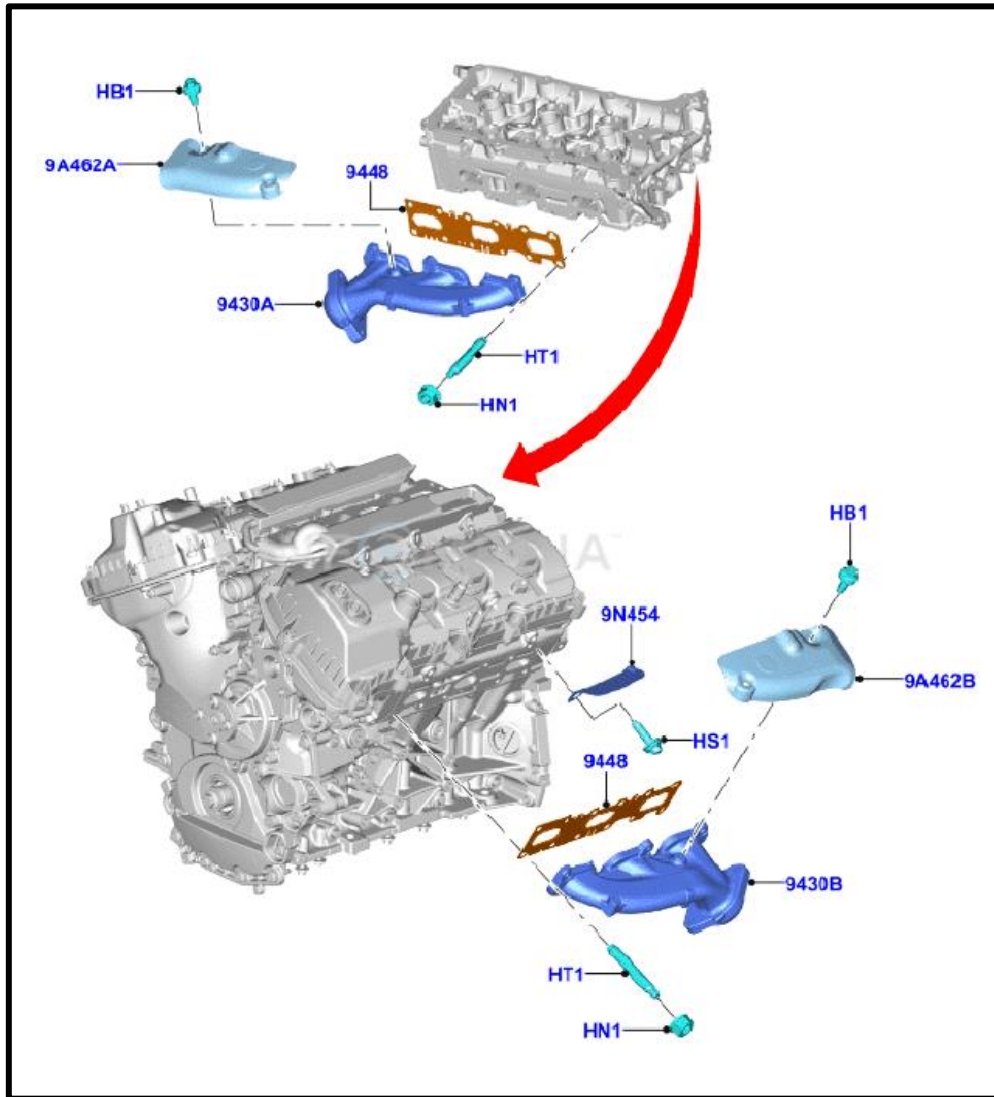
Exhaust System Components



| Quantity | Description | Part # |
|----------|---|-------------|
| 1 | Catalyst Muffler | 8570080 |
| 1 | Cat Muffler O2 Plug (M18) | 40129 |
| 2 | Exhaust O2 Sensor (pre and post catalyst) | 5060010 |
| 1 | Pre-Cat Sensor Pipe Bung | F5AC9J467CA |
| 1 | Y Pipe | 8540090 |
| 1 | Rear Heat Shield | 4040111 |
| 2 | Catalyst Muffler Mounting Band | M002119 |
| 4 | Y-Pipe Nuts | W520514S440 |
| 4 | Exhaust Manifold Y-Pipe Studs | W716963S900 |

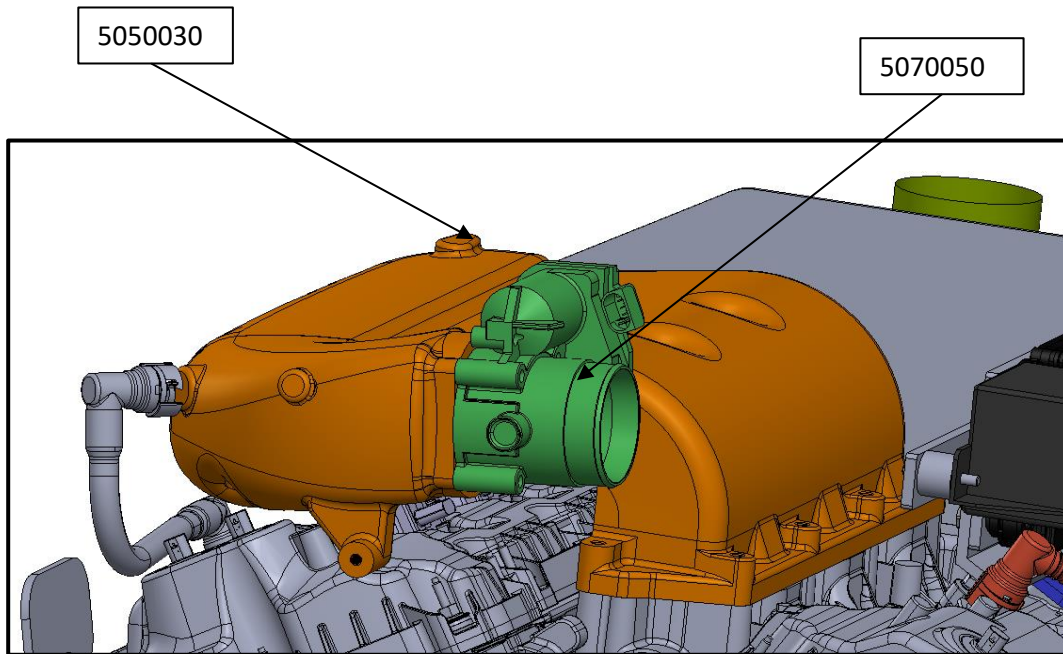
Exhaust Y Pipes and mounting bands are optional, may not be installed on engine, consult with OEM

Exhaust System Components



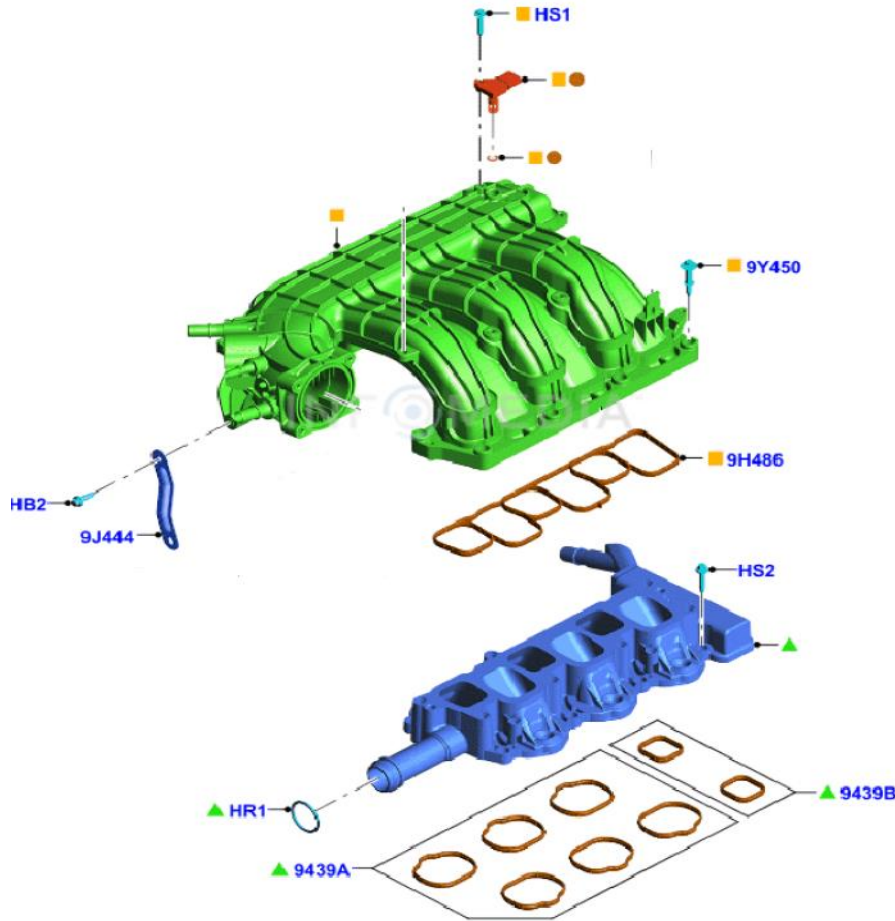
| Quantity | Description | Part # |
|----------|----------------------------------|--------------|
| 1 | Exhaust Manifold RH (9430A) | JL3Z-9430-D |
| 1 | Exhaust Manifold LH (9430B) | JL3Z-9431-B |
| 2 | Manifold Gasket | JL3Z-9448-A |
| 1 | Manifold Heat Shield RH (9A462A) | LK4Z-9A462-A |
| 1 | Manifold Heat Shield LH (9A462B) | LK4Z-9Y427-A |
| 4 | Bolt M6 x 14mm (HB1) | W714133-S439 |
| 6 | Nut M8 Hex (HN1) | W701706-S430 |
| 6 | Stud M8 x 16 + M8 x 25 (HT1) | W712244-S300 |
| 1 | Exhaust Manifold Plug | 40128 |
| 4 | Exhaust Manifold Studs | W716963-S900 |

Intake Air System



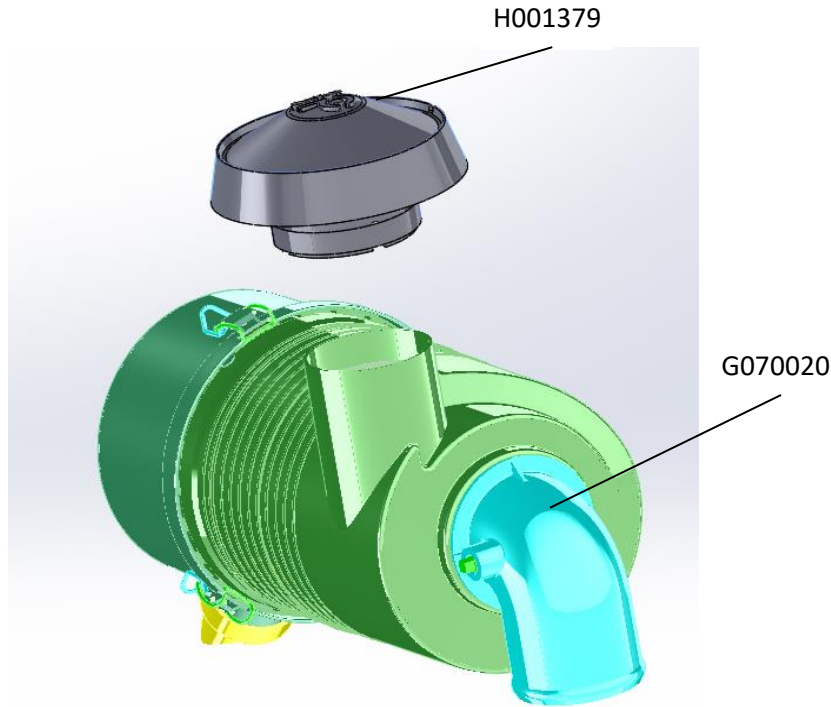
| Quantity | Description | Part # |
|----------|--|---------------|
| 1 | Bosch Governor | 5070050 |
| 1 | Bosch Governor Gasket | 1U1L-9E936-BA |
| 1 | TMAP Sensor | 5050030 |
| 1 | TMAP Sensor Bolt, M6x1.0x16MM | NA |
| 4 | Throttle to Intake Bolts (mixer), M6x1.0x55MM | NA |
| 4 | Throttle to Intake Bolts (no mixer), M6x1.0x50MM | NA |

Intake Air System



| Quantity | Description | Part # |
|----------|-------------------------------|---------------|
| 1 | Intake Manifold | 907009 |
| 1 | Lower Intake Manifold | JL3Z-9424-B |
| 6 | Gasket Water Galley 1 | 7T4Z-9439-E |
| 2 | Gasket Water Galley 2 | 7T4Z-9439-D |
| 1 | Support Bracket | BR3E-9J444-A |
| 1 | Intake Manifold Gasket | AT4Z-9H486-A |
| 1 | Intake to Throttle Gasket | 1U1L-9E936-BA |
| 2 | Bolt, M6 x 20MM (HB2) | W503275-S437 |
| 1 | O-Ring, 15MM (HR1) | AT4Z-8527-A |
| 1 | Screw, M6 x 20 (HS1) | W506855-S442 |
| 8 | Screw, M6 x 30 (HS2) | W503279-S437 |
| 2 | Intake Manifold Bolts, M6x118 | W715096-S450 |

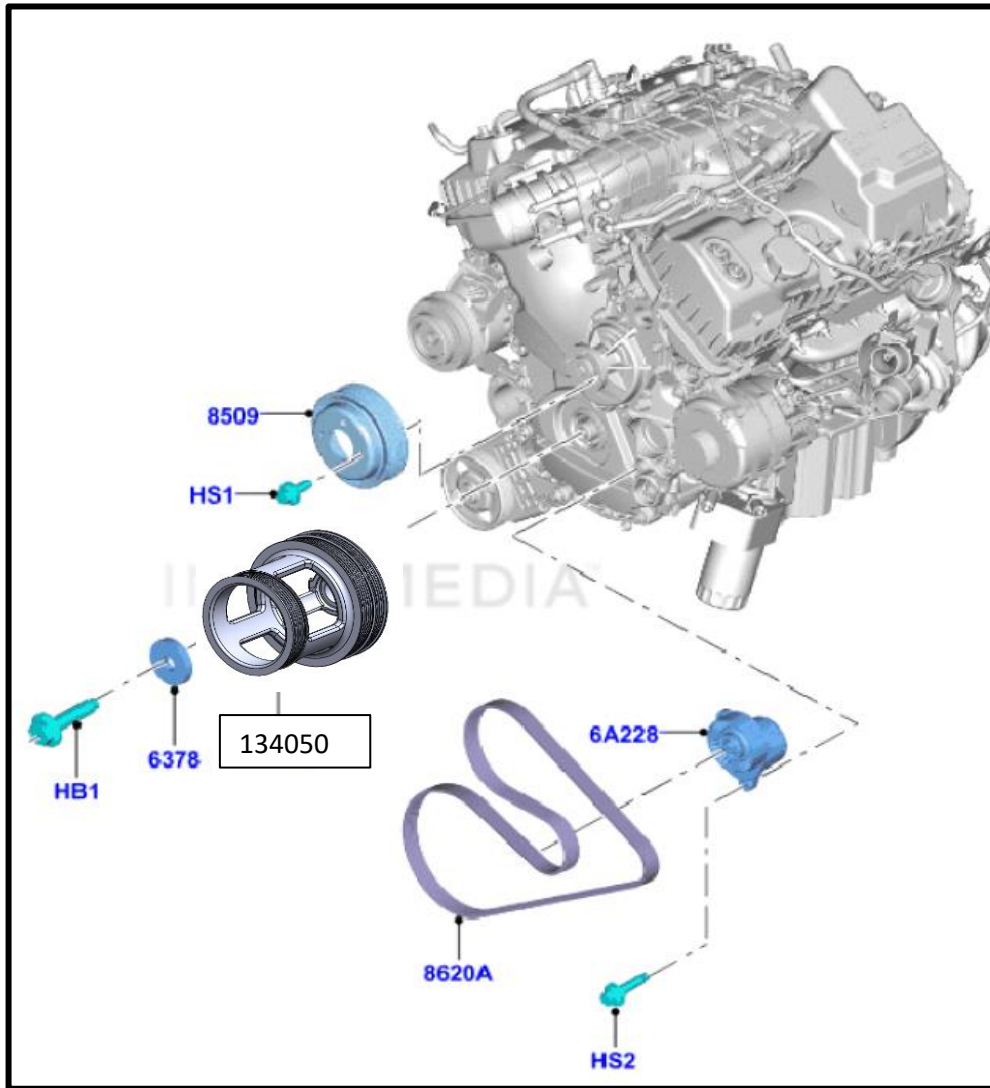
Intake Air Cleaners



| Quantity | Description | Part # |
|----------|--|---------|
| 1 | 90° Air Cleaner; 3" outlet (pictured) | G070020 |
| 1 | Air Cleaner Straight; 3" outlet | G070019 |
| 1 | Mountings bracket for above air cleaners | H002070 |
| 1 | Air cleaner hood | H001379 |
| 1 | Filter Indicator | X002351 |
| 1 | Dry Type Air Cleaner | C085004 |
| 1 | Rubber Hump Reducer/Expander 3" to 2.75" | P520883 |
| 1 | 3" 90 deg Elbow Recommended on dry fuels | 3-90B |

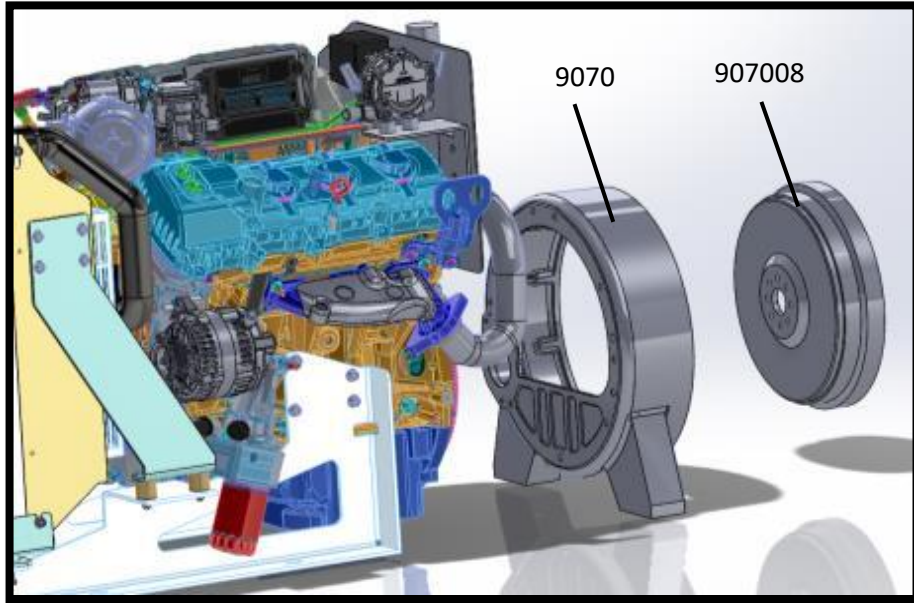
All intake air parts are optional, may not be installed on engine, consult with OEM

FEAD



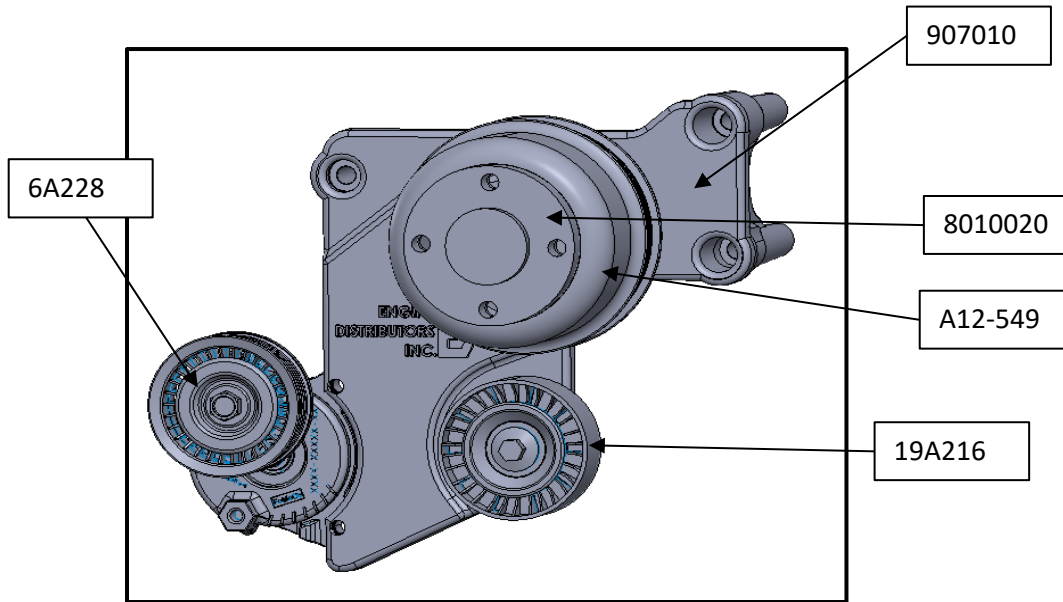
| Quantity | Description | Part # |
|----------|------------------------------|--------------|
| 1 | Tensioner | HL3Z-6A228-A |
| 1 | EDI Extended Crank Pulley | 134050 |
| 1 | Crank Pulley Washer | F1AZ-6378-A |
| 1 | Water Pump Pulley | ER3Z-8509-A |
| 1 | FEAD Belt | BL3Z-8620-C |
| 1 | Crank Pulley Bolt (HB1) | HL3Z-6A340-A |
| 2 | Tensioner Bolt (HS2) | W713261-S437 |
| 3 | Water Pump Pulley Bolt (HS1) | W719168-S437 |

Flywheel and Housings



| Quantity | Description | Part # |
|----------|-----------------------------------|------------|
| 1 | SAE 3 Housing | 907007 |
| 8 | SAE 3 Housing Bolts, M10x1.5x40MM | NA |
| 1 | SAE 11.5" Flywheel | 907012 |
| 1 | SAE 11.5" Bearing Adapter | 130636 |
| 1 | SAE Flywheel Ring Gear | 3540030 |
| 8 | SAE 11.5" Flywheel Bolts | F6ZZ6379AA |
| 1 | PTO Clutch (2.5165" Keyed Shaft) | 434510AM |

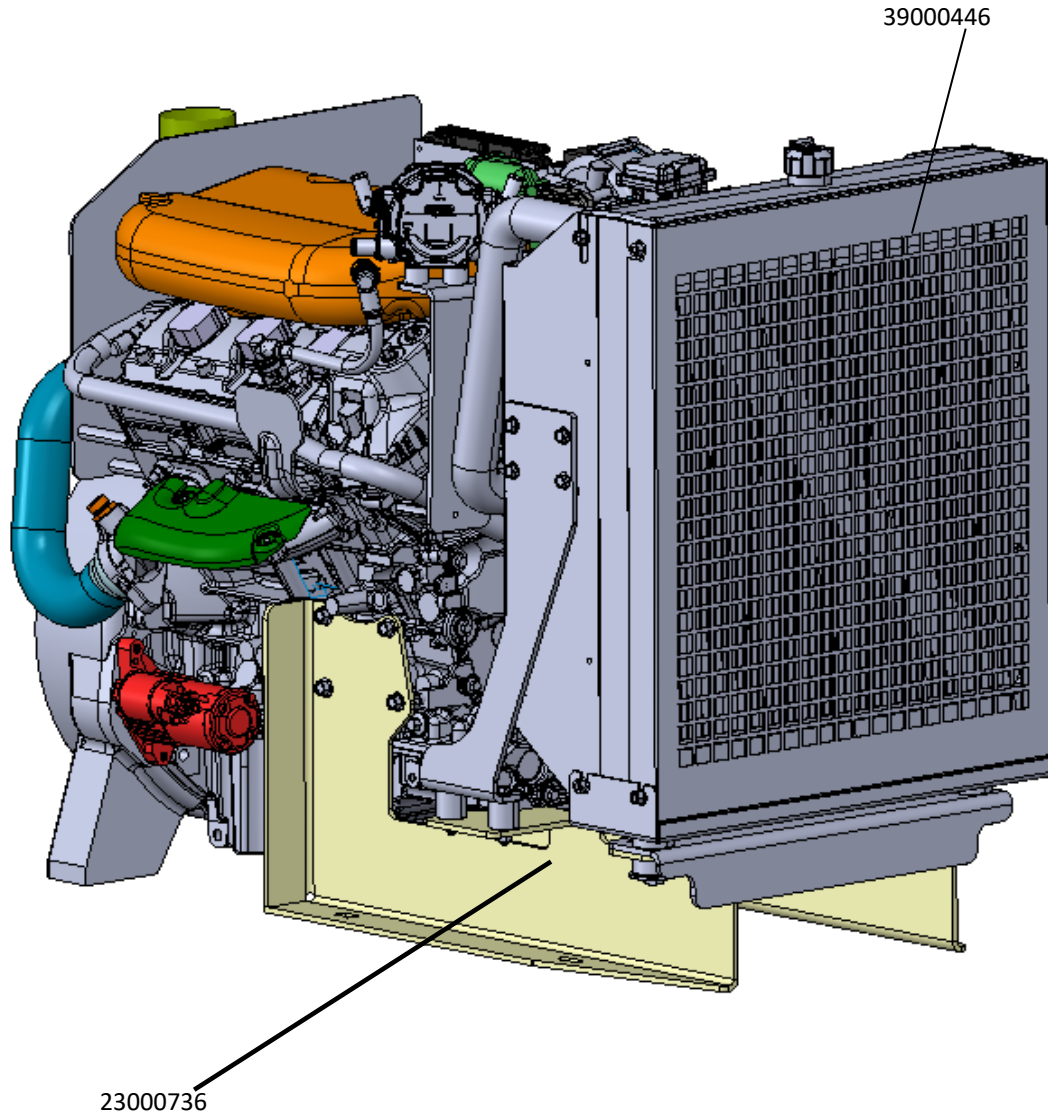
Cooling Fan Drive and Spacer



| Quantity | Description | Part # |
|----------|---|----------------|
| 1 | Fan Drive Kit with Bearing - Kit includes cast bracket, hardware, bearing and taperd shaft. | 907010 |
| 1 | Suction/Pusher Fan Spacer | 8010020 |
| 1 | Suction Cooling Fan 18" (radiator 39000406) | 449150-18 |
| 1 | Pusher Cooling Fan 18" (radiator 39000406) | 296150-18 |
| 1 | Tensioner Assembly | 6E5Q-6A228-BD |
| 1 | Idler Assembly | 4S7Q-19A216-JA |
| 1 | Fan Pulley | A12-549 |
| 1 | Fan Belt | 5060500 |

Fans are optional, may not be installed on engine, consult with OEM

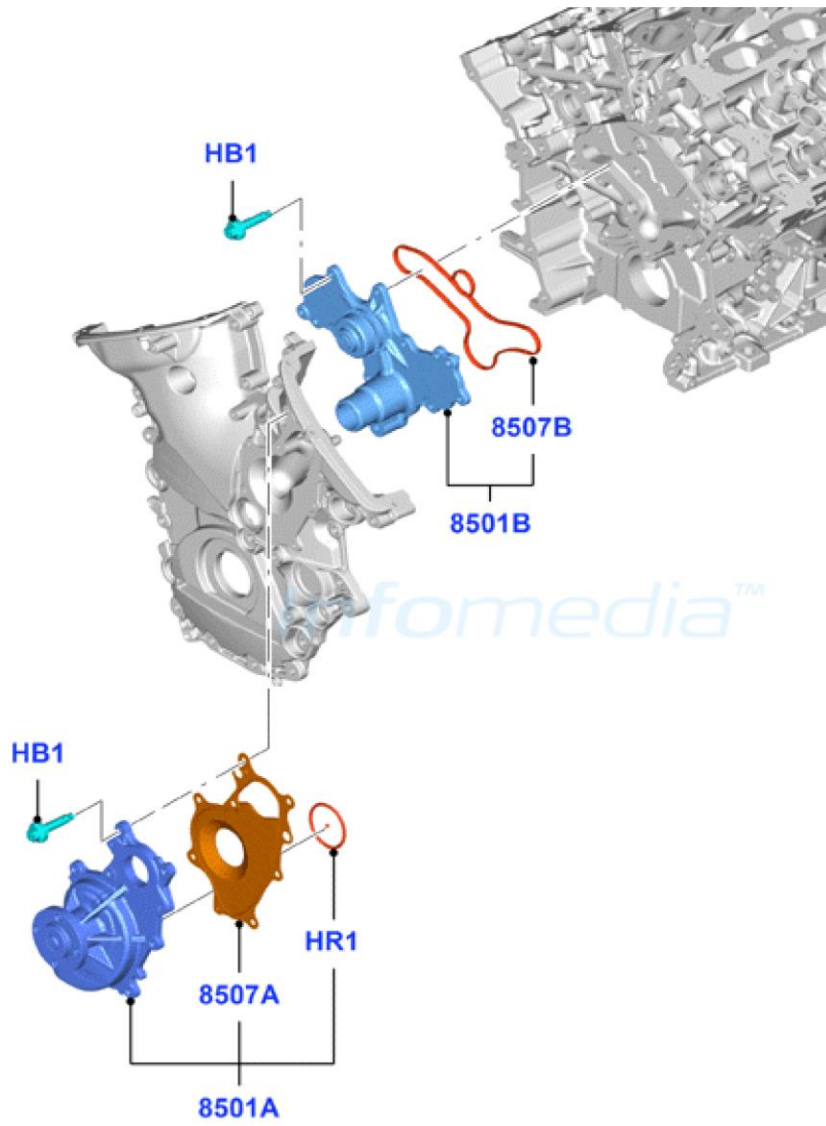
Radiator and Bracket/Hose Kit



| Quantity | Description | Part # |
|----------|---|----------|
| 1 | Aluminum Radiator (Std Duty, 18" Fan, pictured) | 39000446 |
| 1 | Mounting Bracket and Hose Kit (39000446 Rad) | 23000736 |
| 1 | Aluminum Radiator (High Capacity, 18" Fan) | 39000400 |
| 1 | Mounting Bracket and Hose Kit (39000400 Rad) | 23000704 |
| 1 | Overflow Bottle (Pop Top) | 81500003 |
| 1 | Overflow Bottle (Screw Top) | 81500047 |

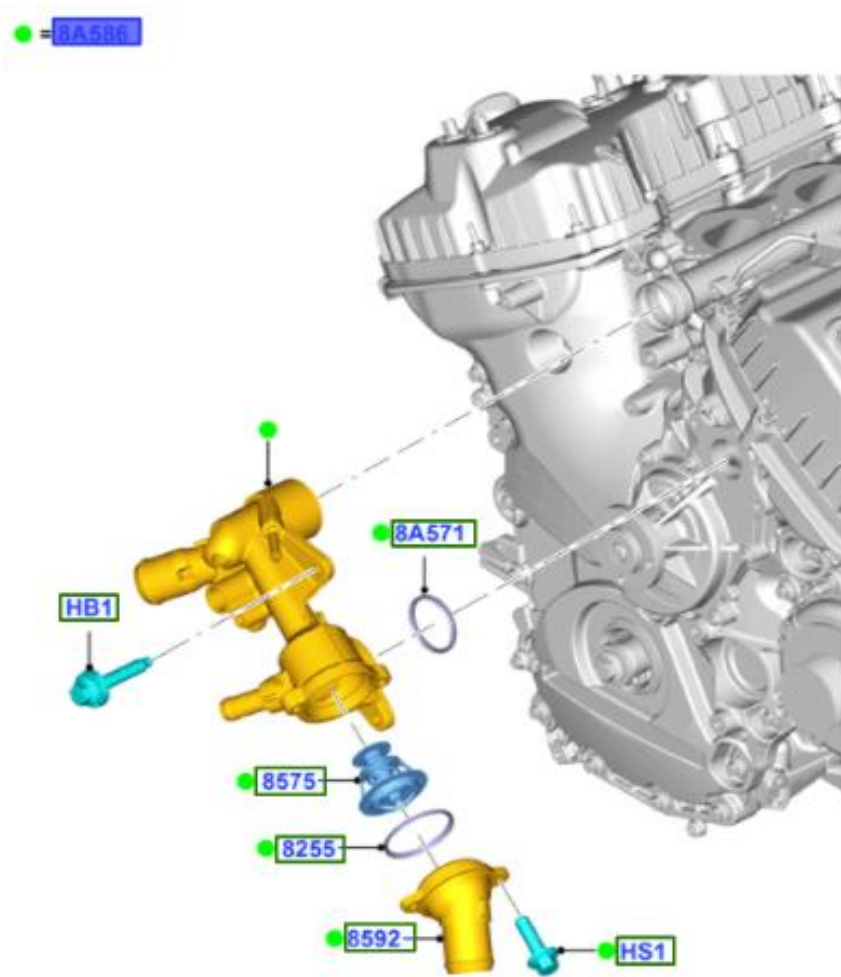
Radiators are optional, may not be installed on engine, consult with OEM

Cooling System



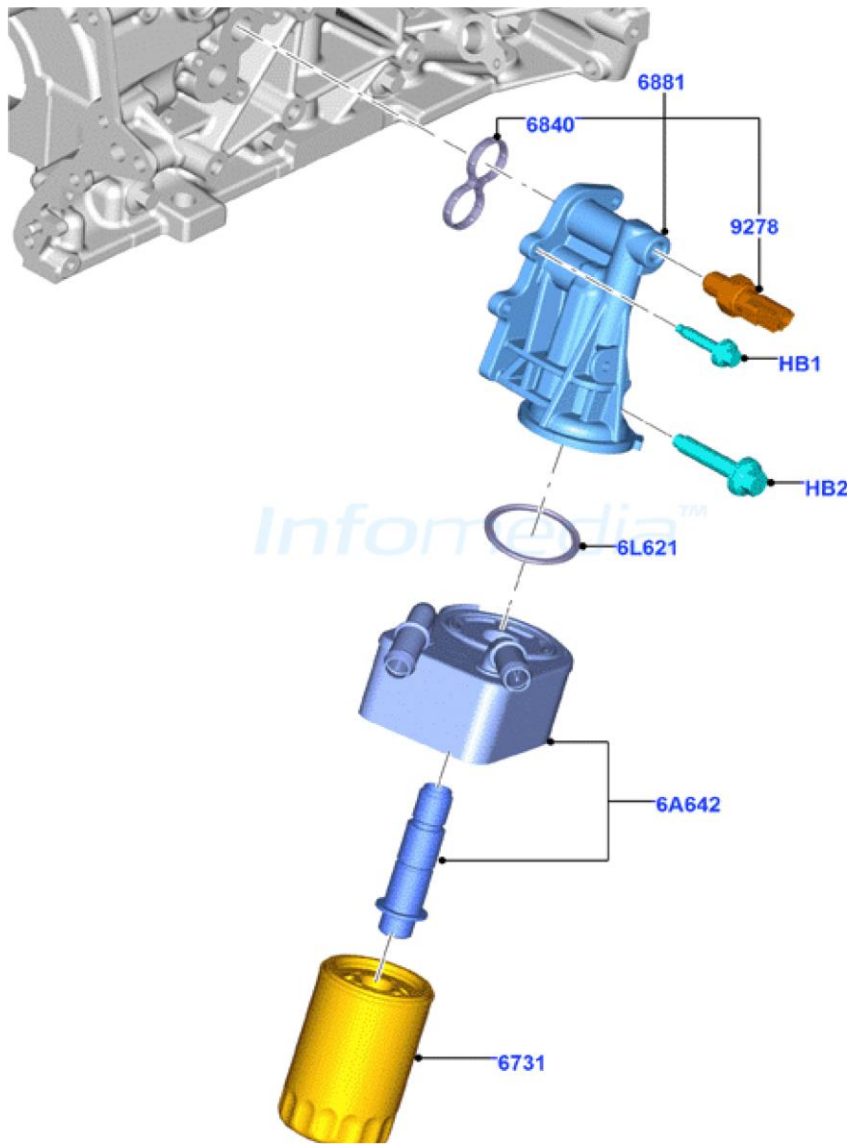
| Quantity | Description | Part # |
|----------|-----------------------------|--------------|
| 1 | Water Pump Assembly (8501B) | BR3Z-8501-D |
| 1 | Water Pump Assembly (8501A) | LK4Z-8501-B |
| 1 | Gasket Water Pump (8507A) | L1MZ-8507-A |
| 1 | Gasket Water Pump (8507B) | BR3Z-8507-L |
| 17 | Bolt M6 x 27mm (HB1) | W503278-S437 |
| 1 | O-ring (37.5MM) (HR1) | BR3Z-8527-A |

Cooling System



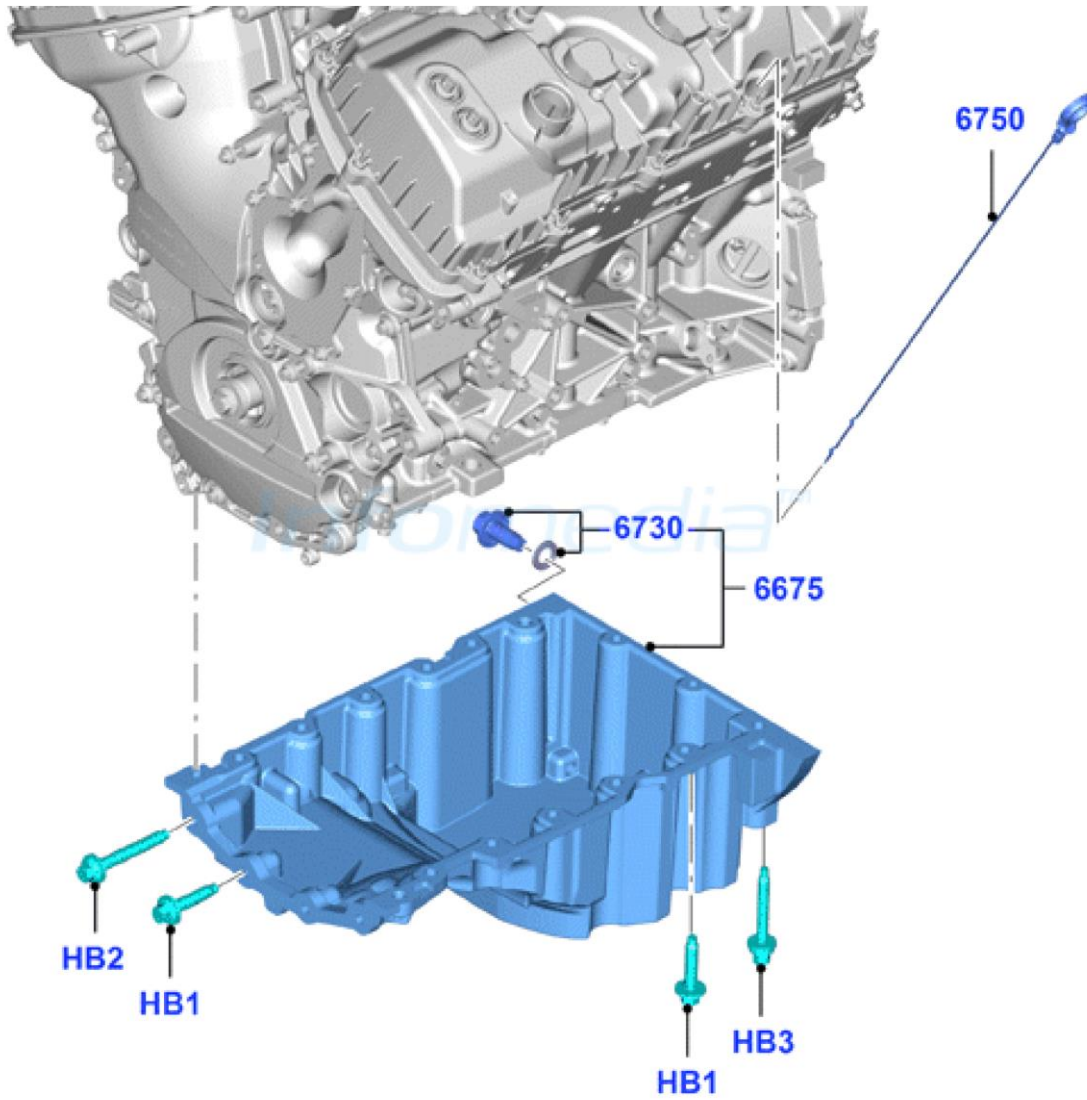
| Quantity | Description | Part # |
|----------|------------------------------|--------------|
| 1 | Housing - Thermostat (8A586) | BL3Z-8592-C |
| 1 | Gasket | BR3Z-8255-A |
| 1 | Gasket (8A571) | 7T4Z-8590-A |
| 1 | Thermostat | BL3Z-8575-A |
| 1 | Water Outlet Connection | BR3Z-8592-Q |
| 4 | Bolt, M6 (HB1) | W714841-S437 |
| 2 | Screw M6 x 20 (HS2) | W500014-S437 |
| 1 | Coolant Cap 3/4" | F8JL8A500BA |
| 1 | Coolant Cap 5/8" | F8JL8A500AA |

Oil Filter and Housing



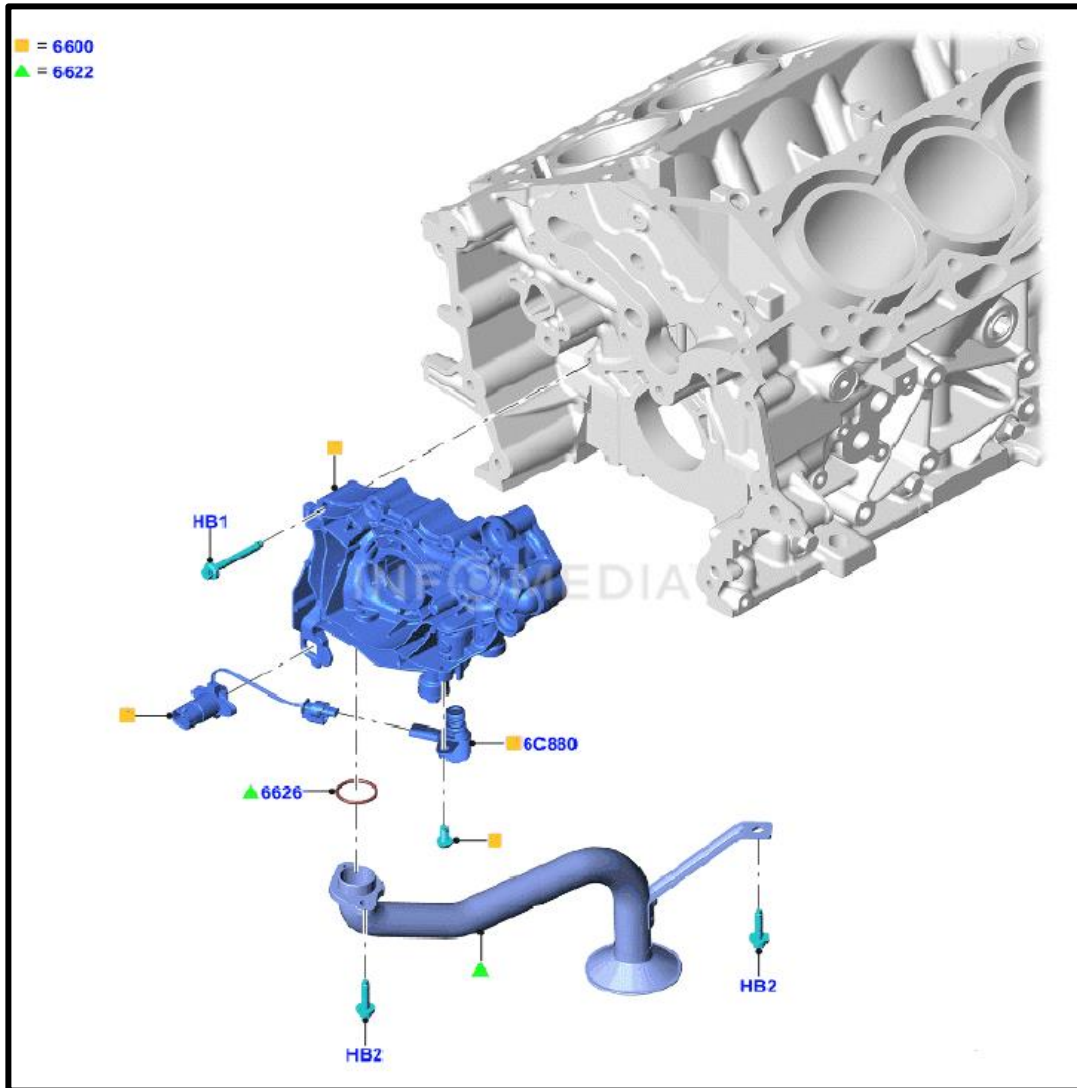
| Quantity | Description | Part # |
|--------------------------------------|------------------------|-----------------------|
| 1 | Oil Cooler Assembly | DK4Z-6A642-A |
| 1 | Oil Filter | AA5Z-6714-A (FL-500s) |
| 1 | Gasket | BR3Z-6840-A |
| 1 | Adapter Housing | LK4Z-6881-C |
| 1 | Oil Sensor Switch | GN1Z-9D290-F |
| 4 | Bolt, M6 x 27mm (HB1) | W503278-S437 |
| 1 | Bolt, M10 x 45mm (HB2) | W503319-S437 |
| 2 | Oil Cooler Caps | F8JL8A500BA |
| ***6 Quarts refill of 5W-20 to 5W-30 | | |

Oil Pan and Tube



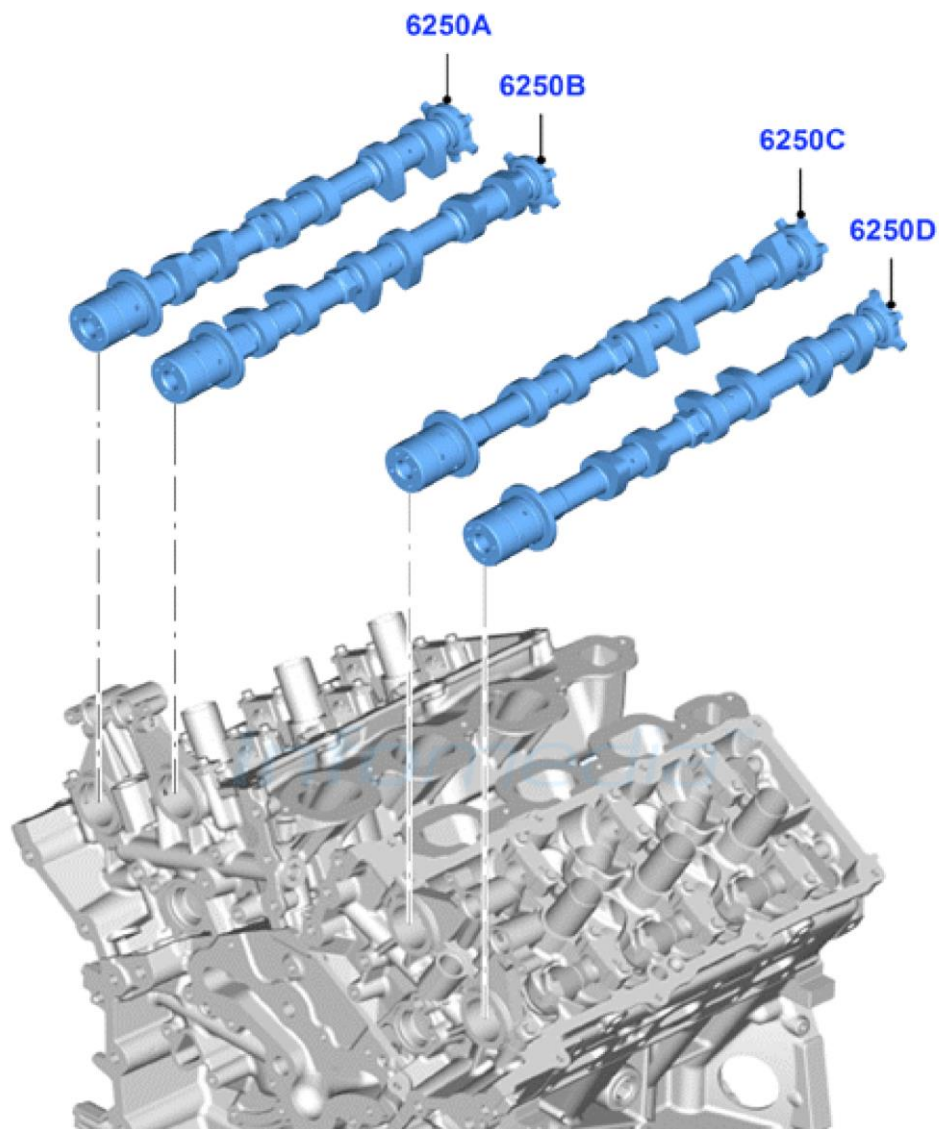
| Quantity | Description | Part # |
|----------|---|--------------|
| 1 | Oil Pan (6675) Serial # <= TLL00339 | ML3Z-6675-D |
| 1 | Oil Pan (6675) Serial # >= TLL00340 | PK4Z-6675-A |
| 1 | Oil Pan Plug (M12) Serial # <= TLL00339 | 9L8Z-6730-A |
| 1 | Oil Pan Plug (M12) Serial # >= TLL00340 | EJ7Z-6730-B |
| 1 | Oil Level Indicator (dipstick) Serial # <= TLL00339 | JL3Z-6750-D |
| 1 | Oil Level Indicator (dipstick) Serial # >= TLL00340 | PK4Z-6750-A |
| 18 | Bolt, M8 x 35mm (HB1) | W712943-S437 |
| 1 | Bolt, M8 x 57mm (HB2) | W716486-S437 |
| 1 | Bolt M8 | W708221-S437 |

Oil Pump



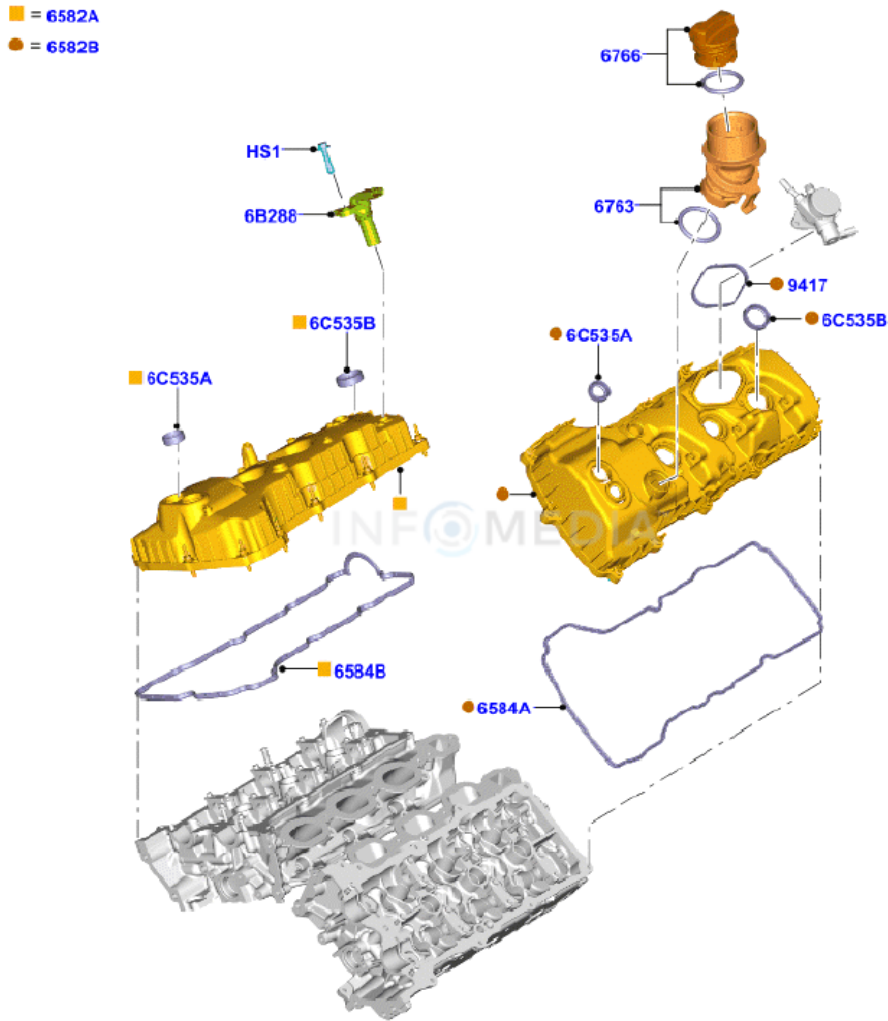
| Quantity | Description | Part # |
|----------|--|---------------|
| 1 | Oil Pump | HL3Z-6600-A |
| 1 | Oil Pump Inlet Tube Serial # <= TLL00340 | LK4Z-6622-B |
| 1 | Oil Pump Inlet Tube Serial # >= TLL00340 | PK4Z-6622-A |
| 1 | Gasket | HL3Z-6626-A |
| 1 | Solenoid Assembly | HL3Z-6C880-B |
| 1 | Sleeve | HL3Z-14A464-B |
| 3 | Bolt, M6 x 50MM (HB1) | W718855-S430 |
| 3 | Bolt, M6 x 27MM (HB2) | W720288-S450 |

CAMSHAFTS



| Quantity | Description | Part # |
|----------|------------------------|-------------|
| 1 | CAM, RH Exhaust, 6250A | HR3Z-6250-B |
| 1 | CAM, RH Intake, 6250B | AT4Z-6250-F |
| 1 | CAM, LH Intake, 6250C | HR3Z-6250-A |
| 1 | CAM, LH Exhaust, 6250D | HR3Z-6250-C |

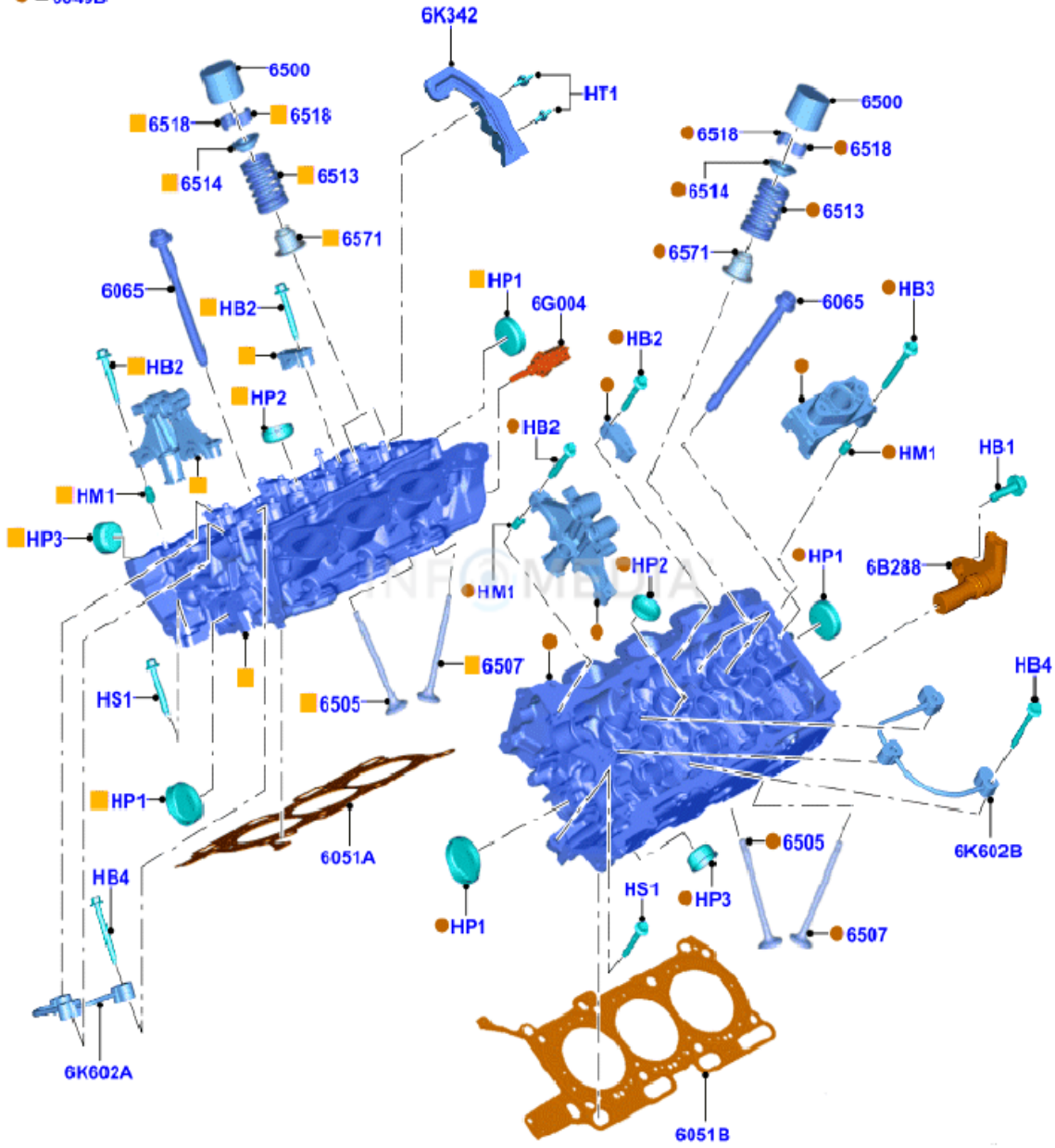
CAMSHAFT COVER



| Quantity | Description | Part # |
|----------|---------------------------|--------------|
| 4 | Seal - Valve | BR3Z-6C535-A |
| 6 | Seal - Valve | BR3Z-6C535-B |
| 1 | Cover - CAM RH (6582A) | BR3Z-6582-U |
| 1 | Cover - CAM LH (6582B) | JL3Z-6582-A |
| 1 | Gasket, RH (6584B) | BR3Z-6584-B |
| 1 | Gasket, LH (6584A) | BL3Z-6584-A |
| 1 | Oil Filler Cap | F2GZ-6766-C |
| 1 | Oil Inlet Pipe | HL3Z-6763-B |
| 2 | Camshaft Position Sensor | BL3Z-6B288-C |
| 1 | High Pressure Pump Gasket | BL3Z-9417-A |
| 2 | Screw, M6 x 30MM (HS1) | W507065-S437 |

Cylinder Head

- = 6049A
- = 6049B



Refer to Next Page for Parts Listing

Cylinder Head

| Quantity | Description | Part # |
|----------|--|---------------|
| 1 | Sensor - Cylinder Head Temp | 9L8Z-6G004-E |
| 1 | CYLINDER HEAD ASSY, RH (6049A) | JL3Z-6049-B |
| 1 | CYLINDER HEAD ASSY, LH (6049B) | LK4Z-6049-C |
| 1 | Cylinder Head Gasket RH (6051A) | BL3Z-6051-G |
| 1 | Cylinder Head Gasket LH (6051B) | BL3Z-6051-H |
| 16 | Bolt - Cylinder Head, 8 per package | AT4Z-6065-B |
| 2 | CAM Sensor, Inner | BL3Z-6B288-C |
| 12 | Exhaust Valve | AT4Z-6505-A |
| 12 | Intake Valve | 7T4Z-6507-B |
| 24 | Valve Spring | ET4Z-6513-B |
| 24 | Valve Spring Retainer | 7T4Z-6514-AA |
| 48 | Valve Spring Retainer Collet | 1S7Z-6518-AA |
| 24 | Valve Stem Seal, 4 per package | BL3Z-6571-A |
| 1 | Tube RH | AT4Z-6K602-AB |
| 1 | Tube LH | AT4Z-6K602-BB |
| 4 | Bolt, M6 x 20MM (HB1) | W503275-S437 |
| 26 | Bolt, M6 x 40MM (HB2) | W710702-S300 |
| 4 | Bolt, M6 x 57MM (HB3) | W716322-S430 |
| 6 | Bolt, M6 x 55M (HB4) | W500305-S437 |
| 6 | Misc Hardware, 8 x 13MM, 4 per package (HM1) | W701200-S |
| 4 | Plug, 31MM, Cup Type (HP1) | W701761-S300 |
| 2 | Plug, 19.35MM Cup Type (HP2) | W701762-S300 |
| 2 | Plug, 13MM Cup Type (HP3) | W716208-S900 |
| 2 | Screw, M6 x 30MM (HS1) | W503279-S437 |

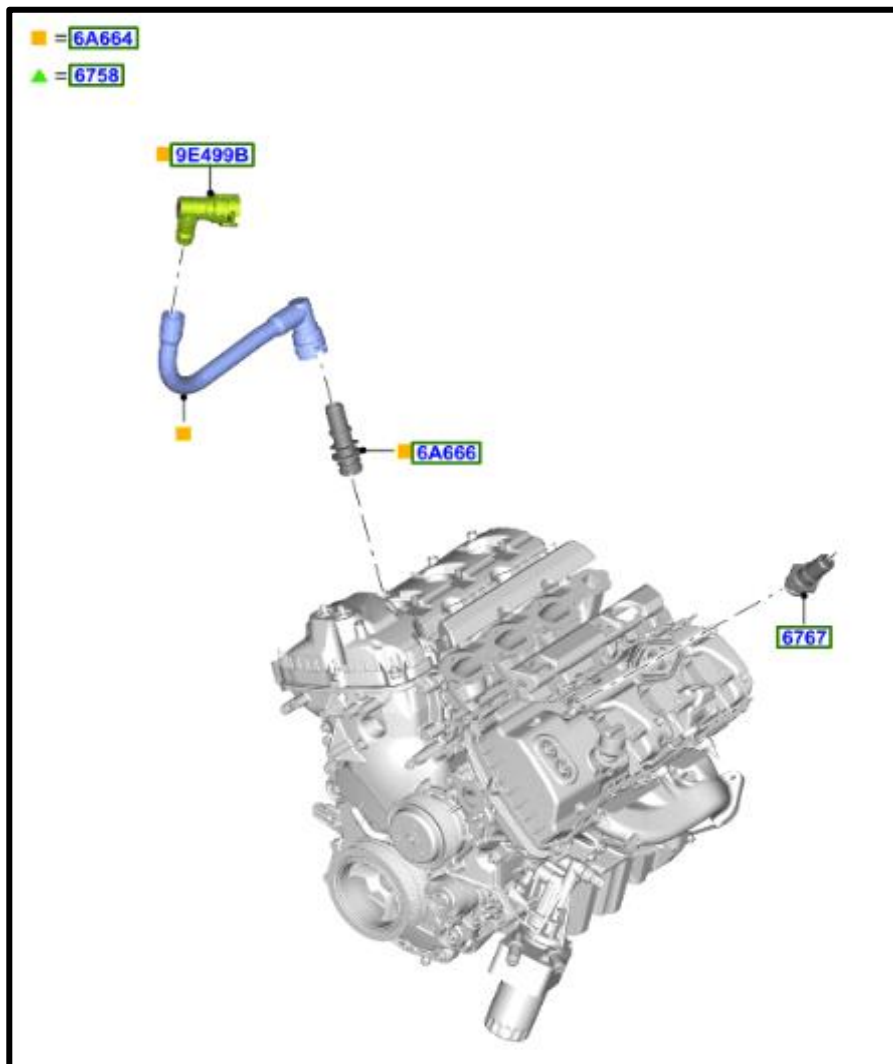
See Next Page for Tappets

Cylinder Head Tappets

REFER TO WORKSHOP MANUAL FOR PROPER SIZE SELECTION

| Quantity | Description | Part # |
|----------|---------------------|---------------|
| AR | TAPPET ASY, 2.950MM | AT4Z-6500-AAA |
| AR | TAPPET ASY, 2.965MM | AT4Z-6500-ABA |
| AR | TAPPET ASY, 2.98MM | AT4Z-6500-ACA |
| AR | TAPPET ASY, 2.995MM | AT4Z-6500-ADA |
| AR | TAPPET ASY, 3.010MM | AT4Z-6500-AEA |
| AR | TAPPET ASY, 3.025MM | AT4Z-6500-AFA |
| AR | TAPPET ASY, 3.040MM | AT4Z-6500-AGA |
| AR | TAPPET ASY, 3.055MM | AT4Z-6500-AHA |
| AR | TAPPET ASY, 3.070MM | AT4Z-6500-AJA |
| AR | TAPPET ASY, 3.085MM | AT4Z-6500-AKA |
| AR | TAPPET ASY, 3.100MM | AT4Z-6500-ALA |
| AR | TAPPET ASY, 3.115MM | AT4Z-6500-AMA |
| AR | TAPPET ASY, 3.130MM | AT4Z-6500-ANA |
| AR | TAPPET ASY, 3.145MM | AT4Z-6500-ARA |
| AR | TAPPET ASY, 3.160MM | AT4Z-6500-ASA |
| AR | TAPPET ASY, 3.175MM | AT4Z-6500-ATA |
| AR | TAPPET ASY, 3.190MM | AT4Z-6500-BAA |
| AR | TAPPET ASY, 3.205MM | AT4Z-6500-BBA |
| AR | TAPPET ASY, 3.220MM | AT4Z-6500-BCA |
| AR | TAPPET ASY, 3.235MM | AT4Z-6500-BDA |
| AR | TAPPET ASY, 3.250MM | AT4Z-6500-BEA |
| AR | TAPPET ASY, 3.265MM | AT4Z-6500-BFA |
| AR | TAPPET ASY, 3.280MM | AT4Z-6500-BGA |
| AR | TAPPET ASY, 3.295MM | AT4Z-6500-BHA |
| AR | TAPPET ASY, 3.310MM | AT4Z-6500-BJA |
| AR | TAPPET ASY, 3.325MM | AT4Z-6500-BKA |
| AR | TAPPET ASY, 3.340MM | AT4Z-6500-BLA |
| AR | TAPPET ASY, 3.355MM | AT4Z-6500-BMA |
| AR | TAPPET ASY, 3.370MM | AT4Z-6500-BNA |
| AR | TAPPET ASY, 3.385MM | AT4Z-6500-BRA |
| AR | TAPPET ASY, 3.400MM | AT4Z-6500-BSA |
| AR | TAPPET ASY, 3.415MM | AT4Z-6500-BTA |
| AR | TAPPET ASY, 3.430MM | AT4Z-6500-CAA |
| AR | TAPPET ASY, 3.445MM | AT4Z-6500-CBA |
| AR | TAPPET ASY, 3.460MM | AT4Z-6500-CCA |
| AR | TAPPET ASY, 3.475MM | AT4Z-6500-CDA |
| AR | TAPPET ASY, 3.490MM | AT4Z-6500-CEA |
| AR | TAPPET ASY, 3.505MM | AT4Z-6500-CFA |
| AR | TAPPET ASY, 3.505MM | AT4Z-6500-CGA |
| AR | TAPPET ASY, 3.520MM | AT4Z-6500-CGA |
| AR | TAPPET ASY, 3.535MM | AT4Z-6500-CHA |
| AR | TAPPET ASY, 3.550MM | AT4Z-6500-CJA |
| AR | TAPPET ASY, 3.565MM | AT4Z-6500-CKA |
| AR | TAPPET ASY, 3.580MM | AT4Z-6500-CLA |
| AR | TAPPET ASY, 3.595MM | AT4Z-6500-CMA |
| AR | TAPPET ASY, 3.610MM | AT4Z-6500-CNA |
| AR | TAPPET ASY, 3.625MM | AT4Z-6500-CRA |
| AR | TAPPET ASY, 3.640MM | AT4Z-6500-CSA |
| AR | TAPPET ASY, 3.655MM | AT4Z-6500-CTA |
| AR | TAPPET ASY, 3.670MM | AT4Z-6500-DAA |
| AR | TAPPET ASY, 3.685MM | AT4Z-6500-DBA |

Crankcase Ventilation



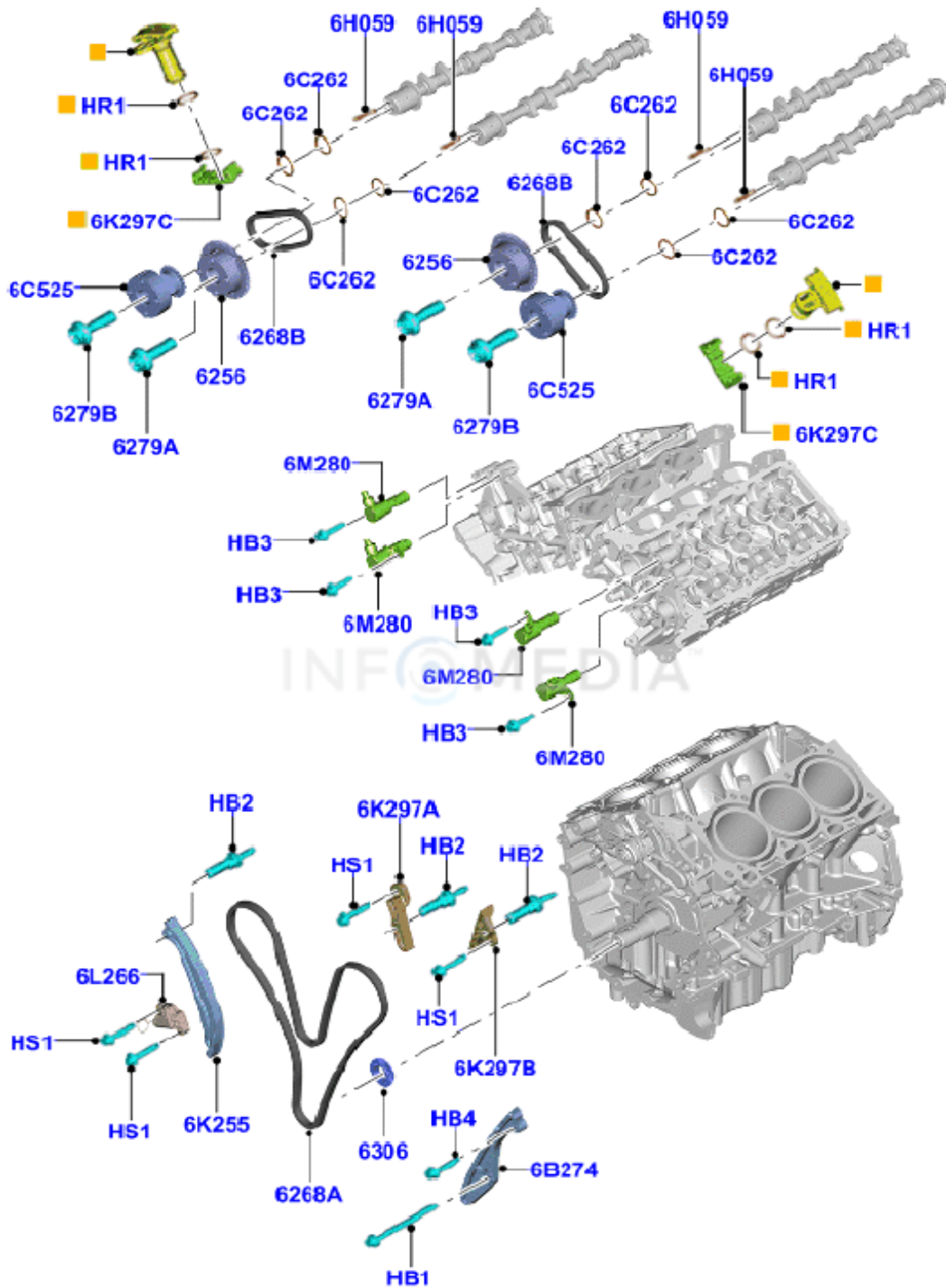
| Quantity | Description | Part # |
|----------|--|----------------|
| 1 | PCV Hose | JL3Z-6A664-AFC |
| 1 | PCV Regulating Valve | KR3Z-6A666-B |
| 1 | Breather Elbow (6767) | 4L2Z-6762-AA |
| 1 | Valve Cover Breather (To 6767) | 7T4Z-9E499-E |
| 1 | Intake Manifold Fitting <small>Connects to 6A664</small> | 134231 |
| 2 | Vacuum Hose Connector | 7T4Z-9E499-B |

Pistons, Crankshaft and Rear Man Seal

| Quantity | Description | Part # |
|----------|---|---------------|
| 3 | Piston Standard RH, piston only | KT4Z-6108-A |
| 3 | Piston Standard LH, piston only | KT4Z-6108-B |
| 6 | Piston Pin | JL3Z-6135-A |
| 12 | Retainer - Piston Pin | HL3Z-6140-A |
| 6 | Piston Ring Kit, standard, Contains Rings for 1 Cylinder | KT4Z-6148-A |
| 6 | Piston Ring Kit, .50MM/0.20" O/S, Contains Rings for 1 Cylinder | KT4Z-6148-B |
| 6 | Connecting Rod Assembly | HL3Z-6200-B |
| 6 | BEARING - CONNECTING ROD, GRADE 2, REFER TO WORKSHOP MANUAL FOR PROPER GRADE SELECTION | HL3Z-6211-C |
| 12 | Bolt - Connecting Rod | HL3Z-6214-A |
| 1 | RETAINER - SEAL, INCLUDES SEAL, USE RTV SILICONE SEALER IN PLACE OF GASKET FOR THIS APPLICATION. REFER TO WORKSHOP MANUAL FOR SPECIFICATION | CG1Z-6335-B |
| 1 | Thrust Washer | 8L3Z-6K302-A |
| 1 | Crankshaft Assembly | HR3Z-6303-F |
| 1 | Crankshaft Position Sensor | BL3Z-6C315-B |
| 4 | BEARING - CRANKSHAFT MAIN, GRADE 1, UPPER, REFER TO WORKSHOP MANUAL FOR PROPER GRADE SELECTION | HL3Z-6333-A |
| 4 | BEARING - CRANKSHAFT MAIN, GRADE 2, UPPER, REFER TO WORKSHOP MANUAL FOR PROPER GRADE SELECTION | HL3Z-6333-B |
| 4 | BEARING - CRANKSHAFT MAIN, GRADE 3, UPPER, REFER TO WORKSHOP MANUAL FOR PROPER GRADE SELECTION | HL3Z-6333-C |
| 4 | BEARING - CRANKSHAFT MAIN, GRADE 1 STD, LOWER, REFER TO WORKSHOP MANUAL FOR PROPER GRADE SELECTION | BL3Z-6333-A |
| 4 | BEARING - CRANKSHAFT MAIN, GRADE 2 STD, LOWER, REFER TO WORKSHOP MANUAL FOR PROPER GRADE SELECTION | BL3Z-6333-B |
| 4 | BEARING - CRANKSHAFT MAIN, GRADE 3 STD, LOWER, REFER TO WORKSHOP MANUAL FOR PROPER GRADE SELECTION | BL3Z-6333-C |
| 2 | Washer, crankshaft | 8L3Z-6A341-A |
| 1 | Seal | AT4Z-6701-A |
| 1 | Ring | BL3Z-12A227-A |
| 8 | Bolt, M6 x 20MM (HB1) | W503275-S437 |
| 1 | Dowel Pin (HM1) | W718654-S300 |
| 1 | Screw, M5 x 35MM (HS1) | W712315-S437 |

Timing Chain and Gears

■ = 6K254

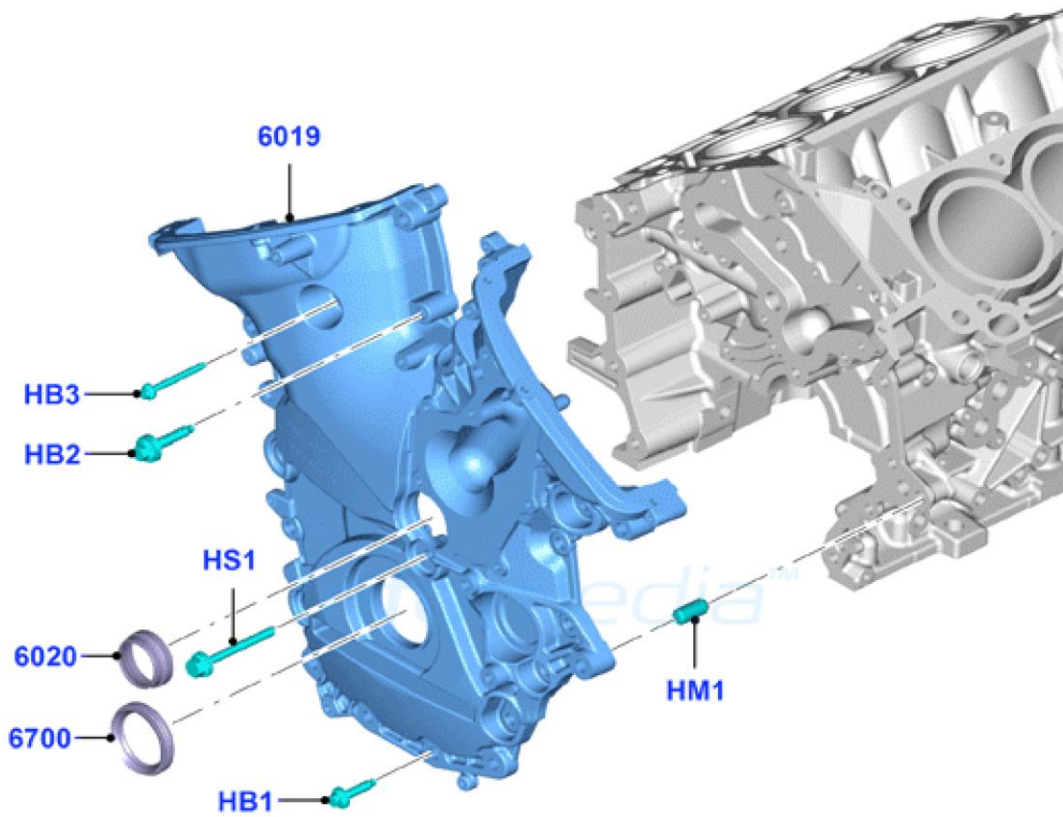


See Next Page for Complete Parts Listing

Timing Chain and Gears

| Quantity | Description | Part # |
|----------|--|--------------|
| 4 | CAM Pin (6H059) | AT4Z-6B316-A |
| 2 | Tensioner - Timing Belt | AT4Z-6K254-A |
| 1 | ARM - Timing Chain | BL3Z-6K255-A |
| 2 | Sprocket - CAM | AT4Z-6256-B |
| 8 | Seal | AT4Z-6C262-A |
| 1 | Tensioner - Timing Chain | JL3Z-6L266-A |
| 1 | Belt/Chain - Timing Primary (6268A) | BL3Z-6268-A |
| 2 | Belt/Chain - Timing Secondary (6268B) | AT4Z-6268-A |
| 1 | Timing Belt Guide | JL3Z-6B274-A |
| 2 | Bolt, Hex Head, (6279A) | AT4Z-6279-D |
| 2 | Bolt, Hex Head (6279B) | AT4Z-6279-E |
| 1 | Solenoid, Engine Variable Timing (RH Intake) Black | AT4Z-6M280-A |
| 1 | Solenoid, Engine Variable Timing (LH Intake) Gray | AT4Z-6M280-B |
| 1 | Guide, Primary, RH | JL3Z-6K297-A |
| 1 | Guide, Primary, LH | AT4Z-6K297-B |
| 2 | Guide, Secondary | AT4Z-6K297-D |
| 1 | Gear - Crankshaft | GT4Z-6306-A |
| 2 | CAM, Exhaust | AT4Z-6C525-D |
| 1 | Bolt, M6 x 83MM (HB1) | W714094-S437 |
| 3 | Bolt, Pivot Stud (HB2) | W714090-S300 |
| 4 | Bolt, M6 x 25MM (HB3) | W500215-S437 |
| 1 | Bolt, M6 x 57.5MM (HB4) | W716322-S430 |
| 4 | Ring, 19MM Diameter (HR1) | AT4Z-8527-B |
| 1 | Screw, M6 x 30MM (HS1) | W503279-S437 |

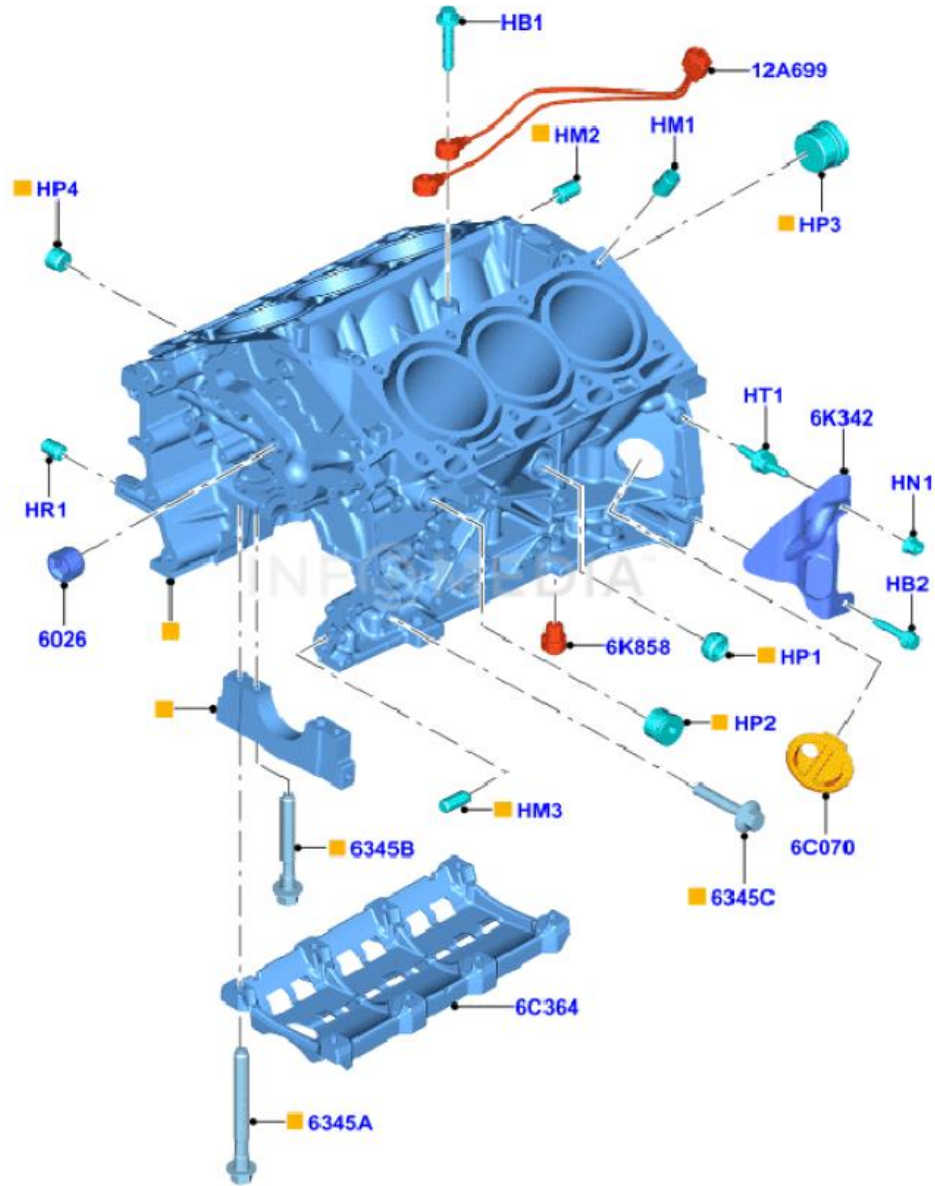
Timing Chain Cover



| Quantity | Description | Part # |
|----------|------------------------|--------------|
| 1 | Front Cover | JL3Z-6019-E |
| 1 | Gasket | BR3Z-6020-A |
| 1 | Front Seal, Crank | XW4Z-6700-AA |
| 16 | Bolt, M8 x 35MM (HB1) | W717253-S437 |
| 5 | Bolt, M8 x 55MM (HB2) | W717501-S437 |
| 1 | Bolt, M6 x 60MM (HB3) | W503285-S437 |
| 2 | 8 x 18MM Pin (HM1) | W706860-S300 |
| 1 | Screw, M8 x 85MM (HS1) | W715543-S437 |

Cylinder Block

■ = 6010

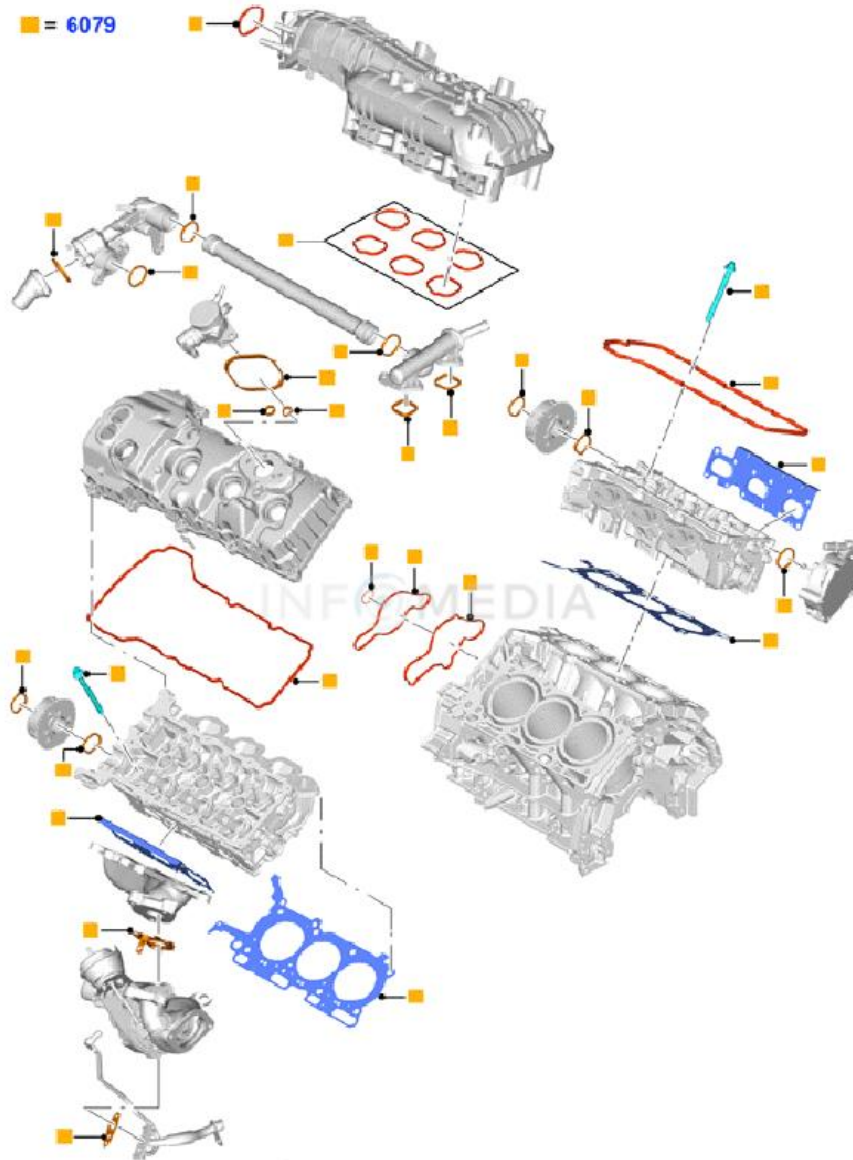


Refer to Next Page for Parts Listing

Cylinder Block

| Quantity | Description | Part # |
|----------|--------------------------------------|---------------|
| 1 | Cylinder Block | BL3Z-6010-H |
| 1 | Engine Plug - 16MM | 7T4Z-6026-A |
| 1 | Cover | 7T4Z-6C070-AA |
| 1 | Shield | HL3Z-6K342-B |
| 8 | Bearing Cap Bolt - M10x94MM (6345A) | HL3Z-6345-A |
| 8 | Bearing Cap Bolt - M10x115MM (6345B) | HL3Z-6345-B |
| 8 | Bearing Cap Bolt, M9 (6345C) | 7T4Z-6345-A |
| 1 | Brace | BR3Z-6C364-F |
| 6 | Nozzle - Piston Cooling | AA5Z-6K868-A |
| 1 | Knock Sensor | 7T4Z-12A699-A |
| 2 | Bolt, M8 x 40MM (HB1) | W500311-S437 |
| 1 | Bolt, M6 x 30MM (HB2) | W701669-S450 |
| 4 | Dowel Pin - 13.2 x 19.5MM (HM1) | W709001-S300 |
| 2 | Dowel Pin - 13 x 19.5MM (HM2) | W718758-S300 |
| 2 | Pin - 8 x 18MM (HM3) | W706860-S300 |
| 1 | Nut, M6 x 1 (HN1) | W520101-S450 |
| 1 | Plug, 3/4"x14 NPTF (HP1) | W701548-S437 |
| 1 | Plug, M22 (HP2) | W528207-S437 |
| 1 | Plug, M30 (HP3) | W716818-S437 |
| 1 | Plug, 3/8 x 18MM (HP4) | W701516-S901 |
| 2 | Ring, 11 x 15MM (HR1) | W704711-S300 |
| 1 | Stud, M6 x 15 + M6 x 22MM (HT1) | W701672-S450 |

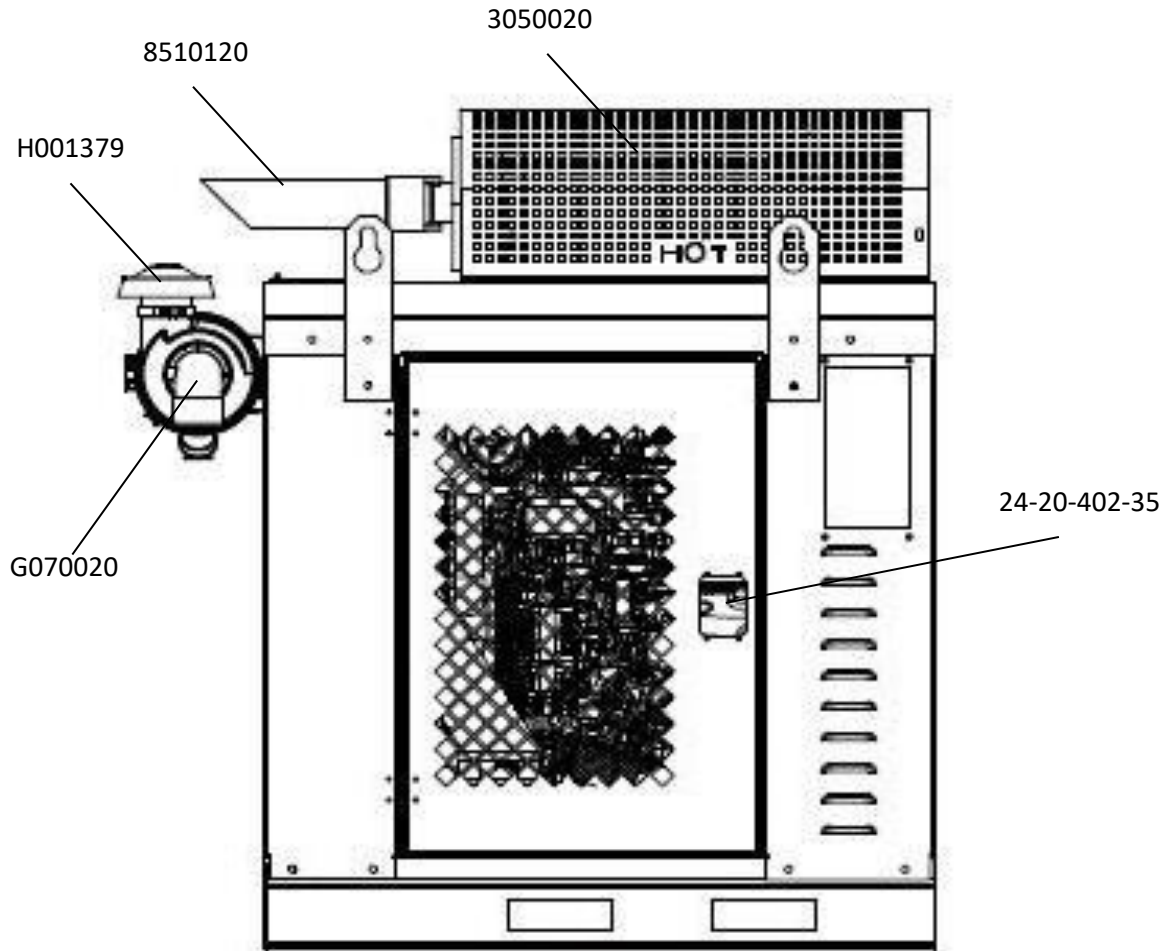
Gasket Kit



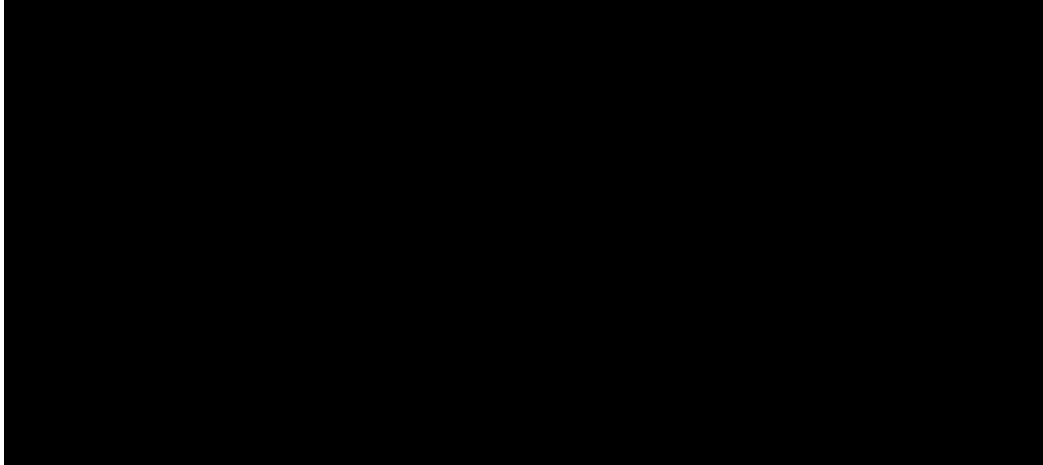
| Quantity | Description | Part # |
|----------|-------------|-------------|
| 1 | Gasket Kit | LK4Z-6079-A |

NOTE: Gasket Kit is made for the Turbo version of the 3.5L, and does not include all of the required gaskets for EDI's offered 3.5L engine. It also includes gaskets that are not used for EDI's offered 3.5L engine as well.

Enclosure



| Quantity | Description | Part # |
|----------|---|--------------|
| 1 | Enclosure | 3020040 |
| 1 | Enclosure - Cat Muffler Heat Shield | 3050020 |
| 2 | Door Latches | 24-20-402-35 |
| 1 | Air Cleaner | G070020 |
| 1 | Air Cleaner Cap | H001379 |
| 1 | Air Cleaner Mount (to sheetmetal) | H002070 |
| 2 | Catalyst Muffler Mounts (to sheetmetal) | M002119 |
| 1 | Exhaust Outlet Pipe | 8510120 |

Hydraulic Pumps, Power Steering and AC**With AC and with Powersteering****AC Compressor**

| Quantity | Description | Part # |
|----------|--------------------------------|---------------|
| 1 | AC Compressor | LK4Z-19703-C |
| 1 | Clutch Assembly - Intermediate | LK4Z-19V649-A |
| 3 | Bolt and Washer M8 x 129MM | W719356-S437 |

Hydraulic Pump Only

| Quantity | Description | Part # |
|----------|------------------------------|----------------|
| 1 | Hydraulic Pump Kit | 117006A |
| 1 | Hydraulic Pump (003 version) | 26003-RZV |
| 1 | Hydraulic Pump (007 version) | 66043508 |
| 1 | Pulley for Hydraulic Pumps | 128940 |
| 1 | Bracket for Hydraulic Pumps | 907006 |
| 1 | Belt For Hydraulic Pumps | 5040405 |
| 1 | Tensioner Bracket | 4020130 |
| 1 | Tensioner | AB39-6A228-AA |

Manuals and Labels



| Quantity | Description | Part # |
|----------|-------------------------------|---------|
| 1 | Operators Manual | 1010140 |
| 1 | Emission Install Instructions | 1010150 |
| 1 | Parts Manual | 1010240 |
| 1 | Service Manual | 1010230 |
| 1 | Emission Label | 1010270 |
| 1 | Model & Serial # Label | 1010260 |
| 1 | Specification Sheet | 1010160 |